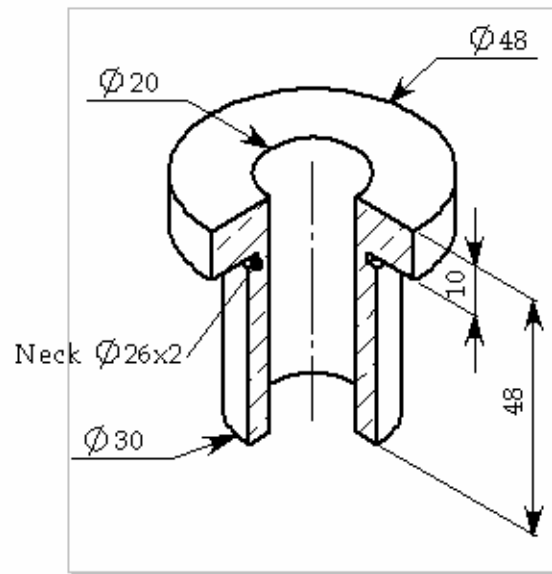
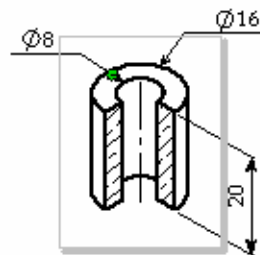


## Module 7: Construct Bushes and Produce Detail Drawings

Create models and detail drawing for the bushes given in Figures 1 and 2.



**Figure 1 Bushing**



**Figure 2 Plain Bush**