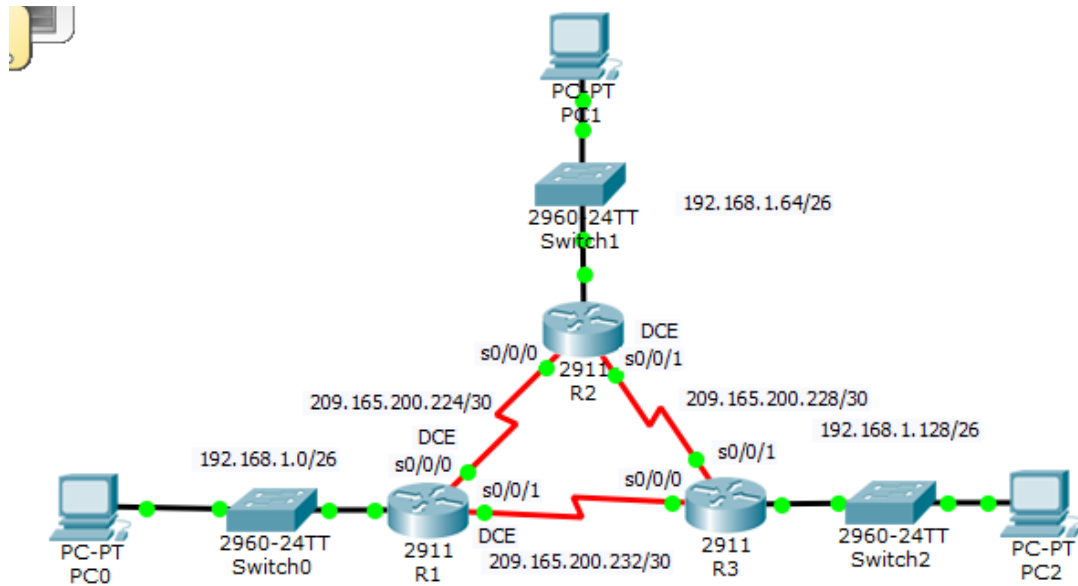


205NET
2nd semester 1439-1440
Evaluation#2

For the following network



Addresses Table

Device	Interface	IP address	Subnet Mask	Default Gateway
R1	G0/0	192.168.1.1	255.255.255.192	N/A
	S0/0/0	209.165.200.225	255.255.255.252	N/A
	S0/0/1	209.165.200.233	255.255.255.252	N/A
R2	G0/0	192.168.1.65	255.255.255.192	N/A
	S0/0/0	209.165.200.226	255.255.255.252	N/A
	S0/0/1	209.165.200.229	255.255.255.252	N/A
R3	G0/0	192.168.1.129	255.255.255.192	N/A
	S0/0/0	209.165.200.234	255.255.255.252	N/A
	S0/0/1	209.165.200.230	255.255.255.252	N/A
PC0		192.168.1.10	255.255.255.192	192.168.1.1
PC1		192.168.1.70	255.255.255.192	192.168.1.65
PC2		192.168.1.135	255.255.255.192	192.168.1.129

- Set Up the Topology and Configure Basic Device Settings
- Configure RIPv2 on the routers
- Configure the LAN ports in all routers as a passive interfaces.