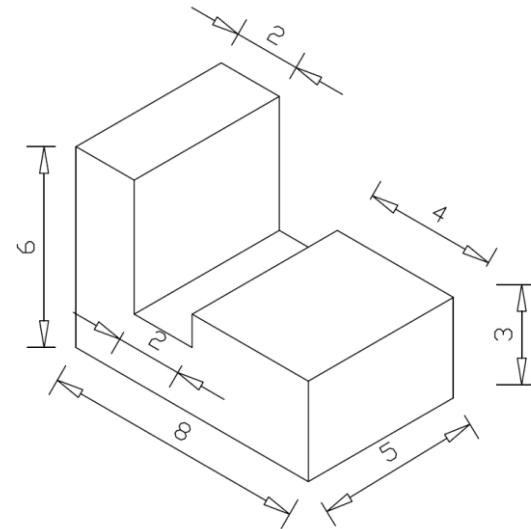
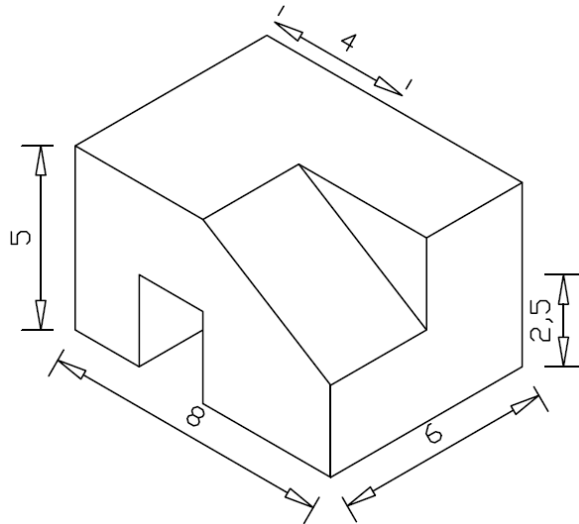


Exercise: 07A In Class:

On your A3 paper draw the three **projections** "plan, elevation & side view" & the **Isometric** of the following isometrics, by **Tools**



Top

Front

Side

Top

Front

Side