

# **BROADBAND AND HIGH SPEED NETWORKS**

**7**

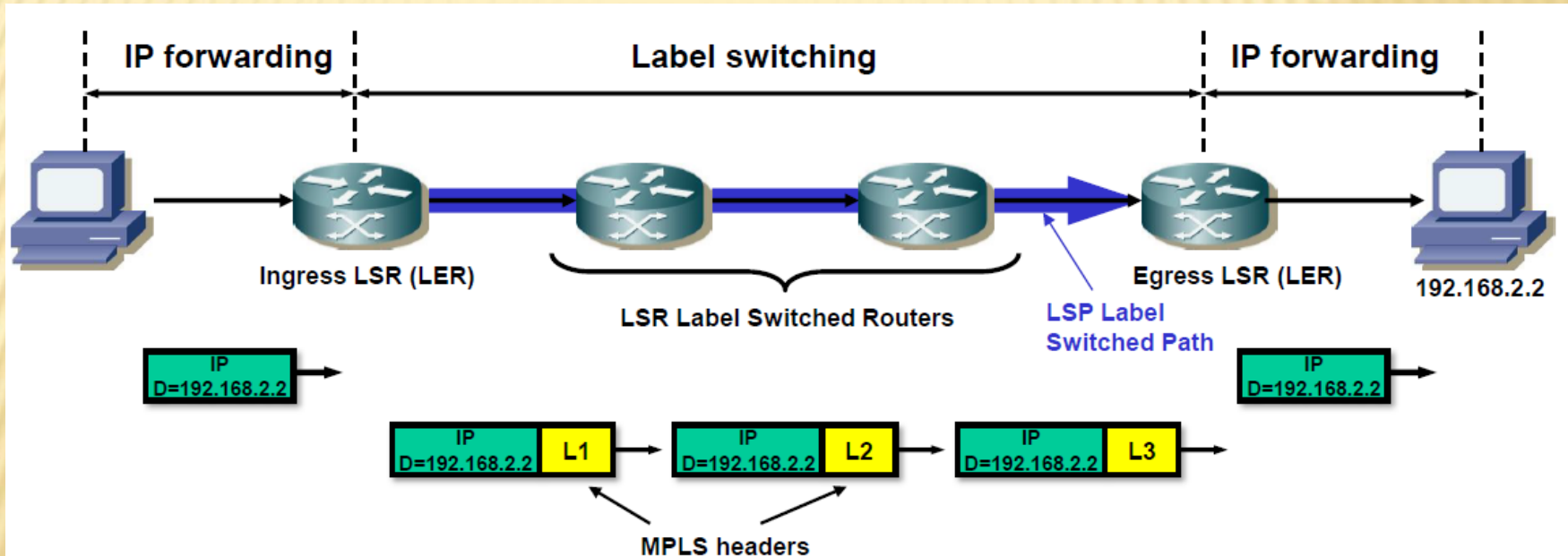
**Multiprotocol Label Switching (MPLS)**

---

# LABEL SWITCH PATH (LSP)

- ❑ MPLS provides the following two options *to set up an LSP*:
  - ❑ **Hop-by-Hop Routing** : Each LSR independently selects the next hop for a given FEC. This methodology is similar to that currently used in IP networks. The LSR uses any available routing protocols, such as OSPF, ...etc.
  - ❑ **Explicit routing (ER)** : similar to *source routing*. The *ingress LER* specifies the list of nodes through which the **ER-LSP** traverses. The resources may be reserved to ensure QoS to the data traffic.

# ROUTING AT EDGE, SWITCHING IN CORE

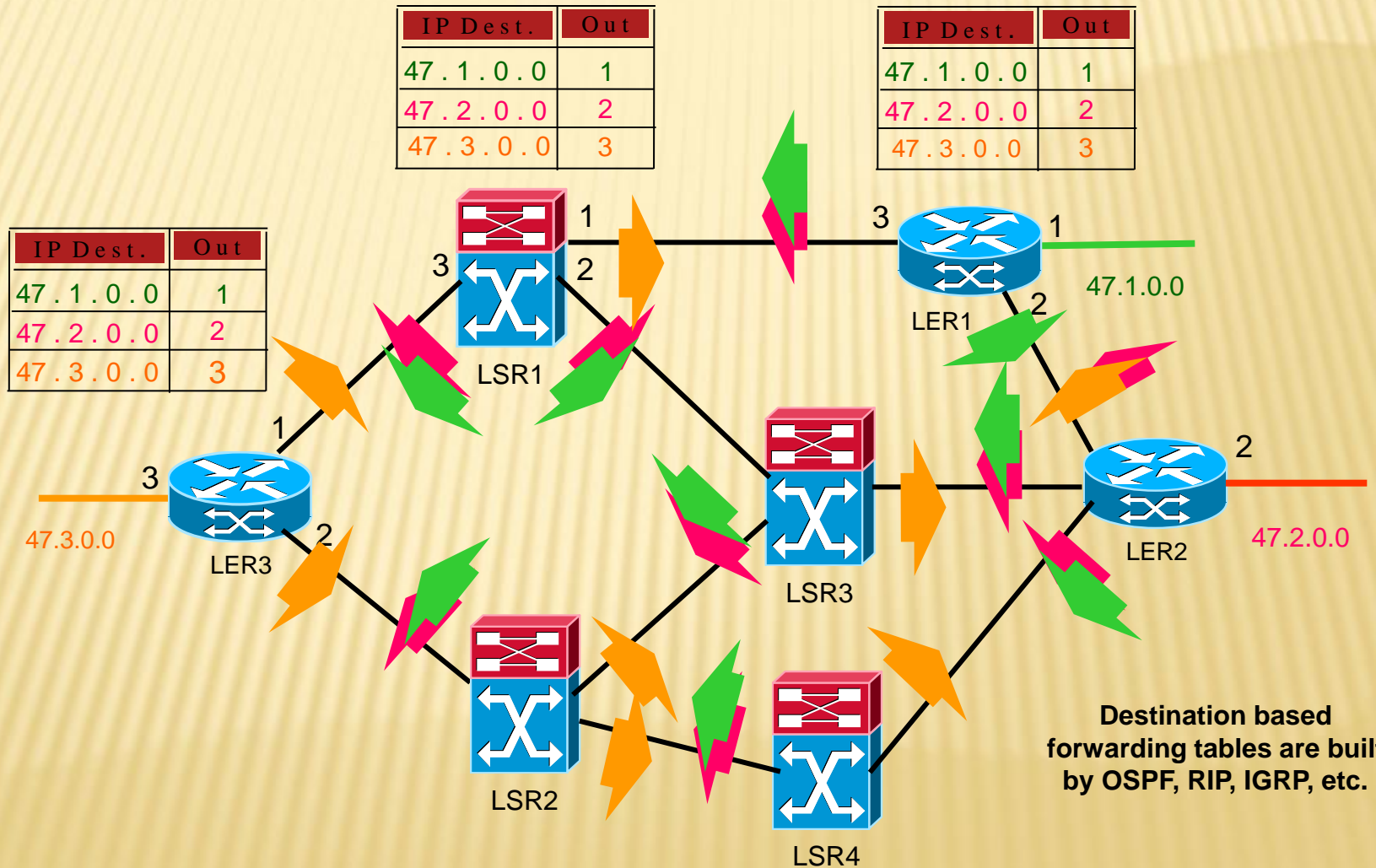


IP Forwarding

Label Switching

IP Forwarding

# TRADITIONAL IP

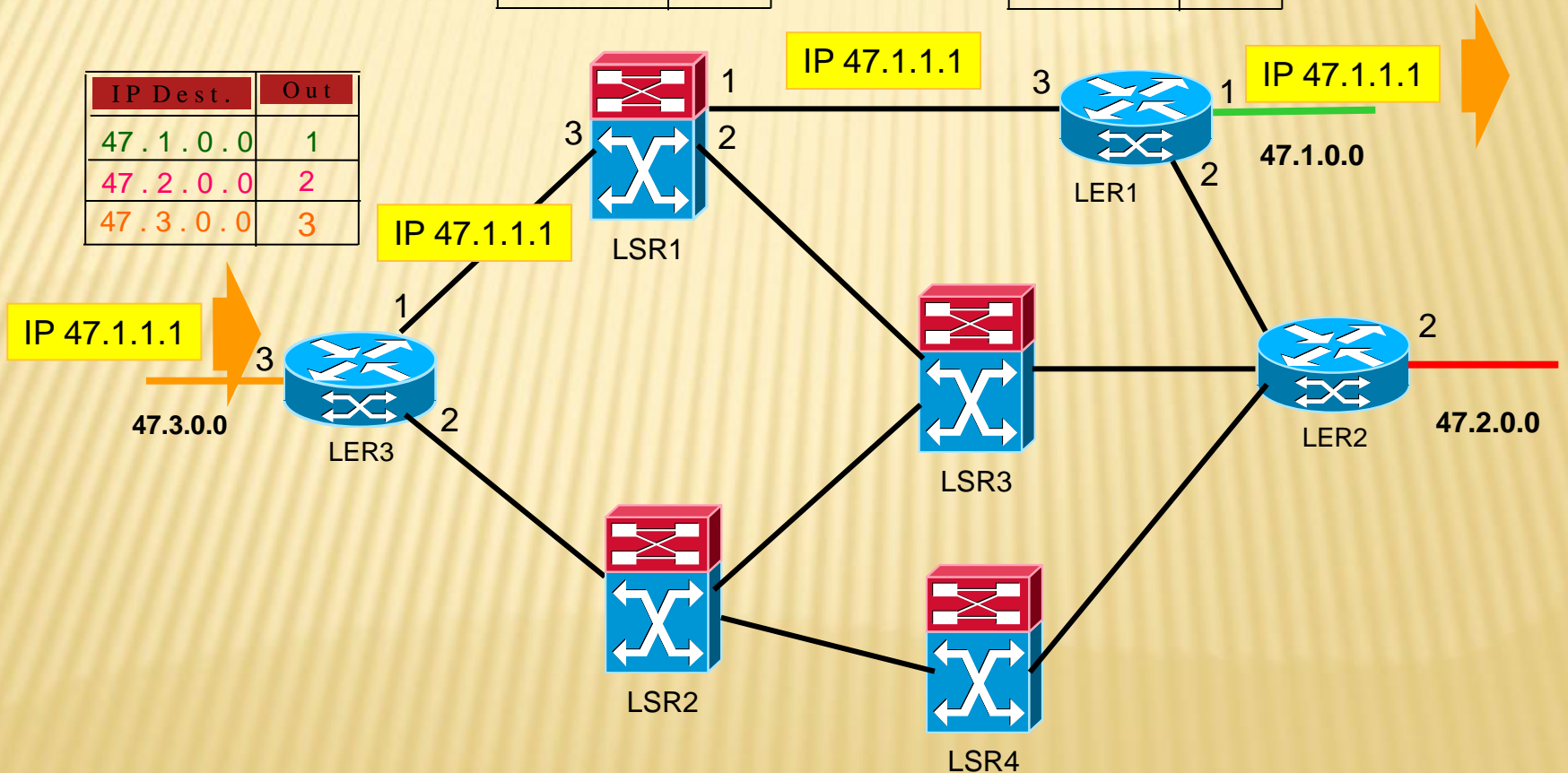


# IP FORWARDING USING HOP-BY-HOP CONTROL

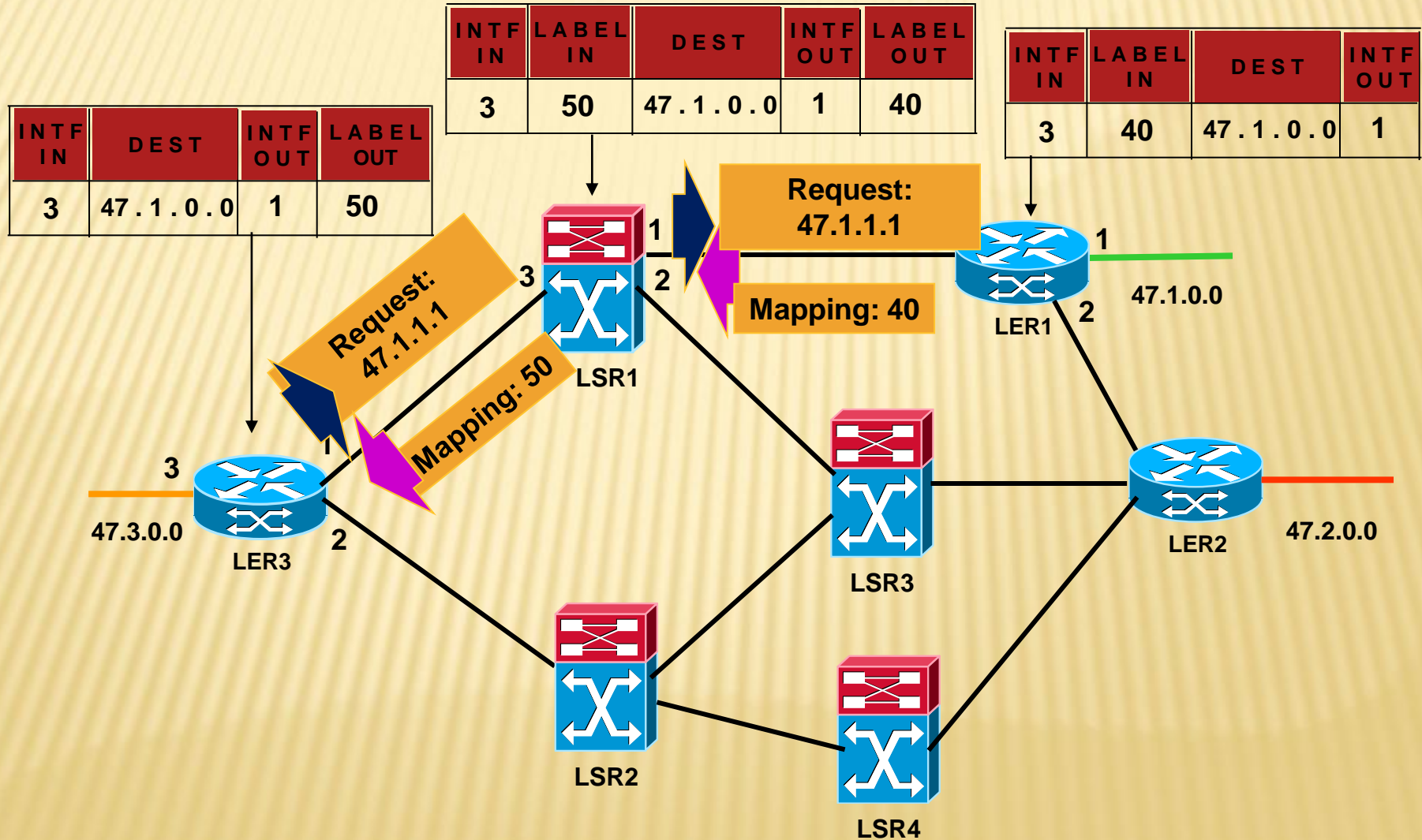
IP Dest.	Out
47.1.0.0	1
47.2.0.0	2
47.3.0.0	3

IP Dest.	Out
47.1.0.0	1
47.2.0.0	2
47.3.0.0	3

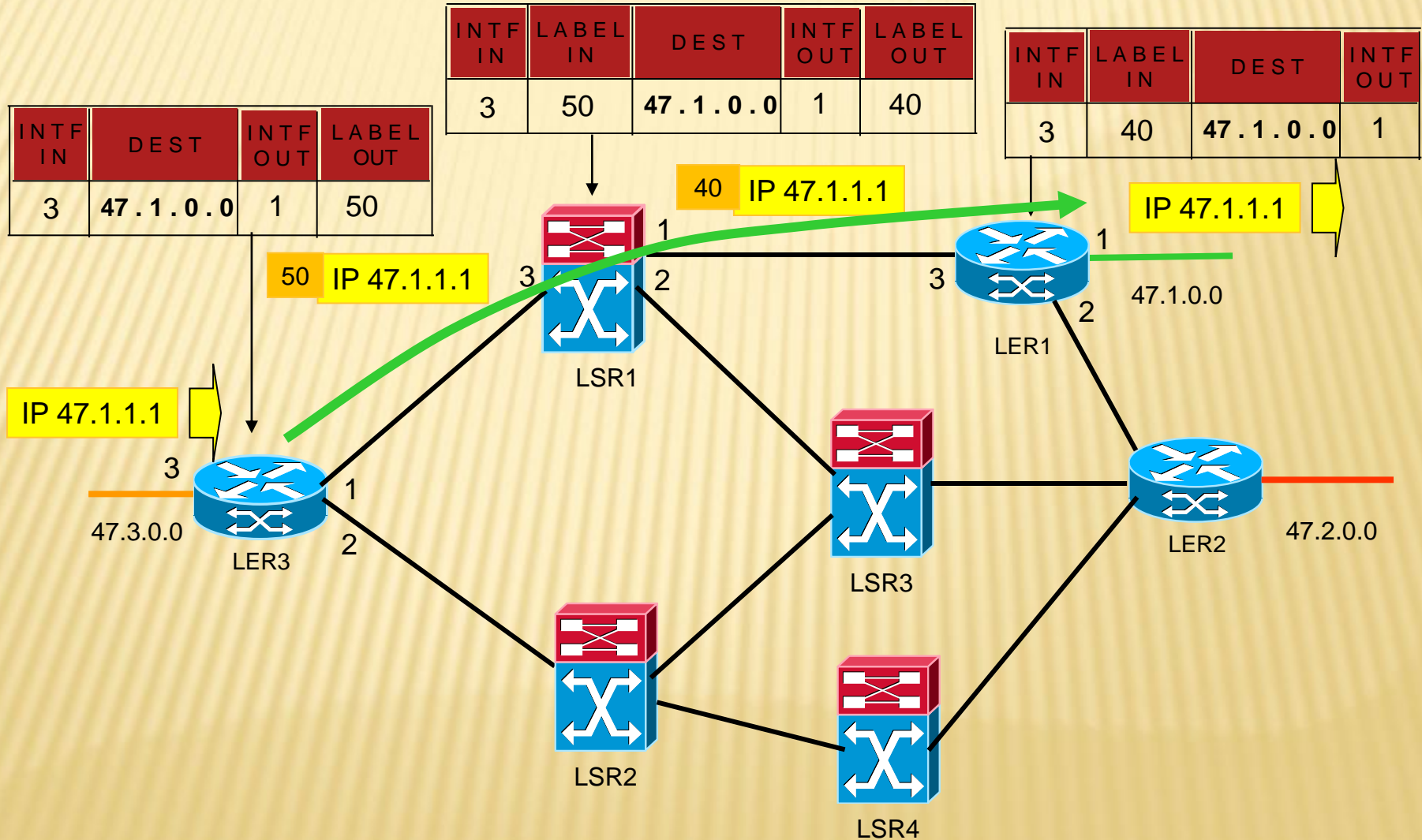
IP Dest.	Out
47.1.0.0	1
47.2.0.0	2
47.3.0.0	3



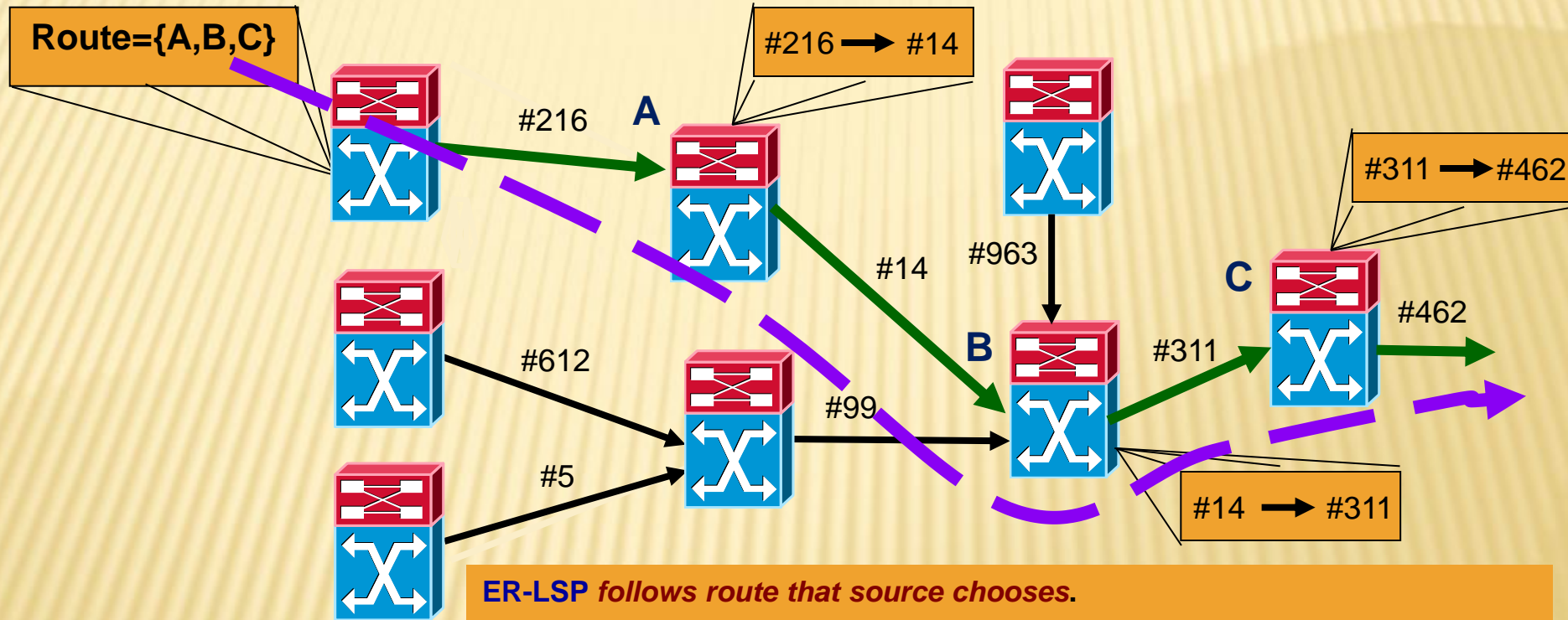
# MPLS LABEL DISTRIBUTION



# LABEL SWITCHED PATH (LSP)



# EXPLICITLY ROUTED LSP (ER-LSP)



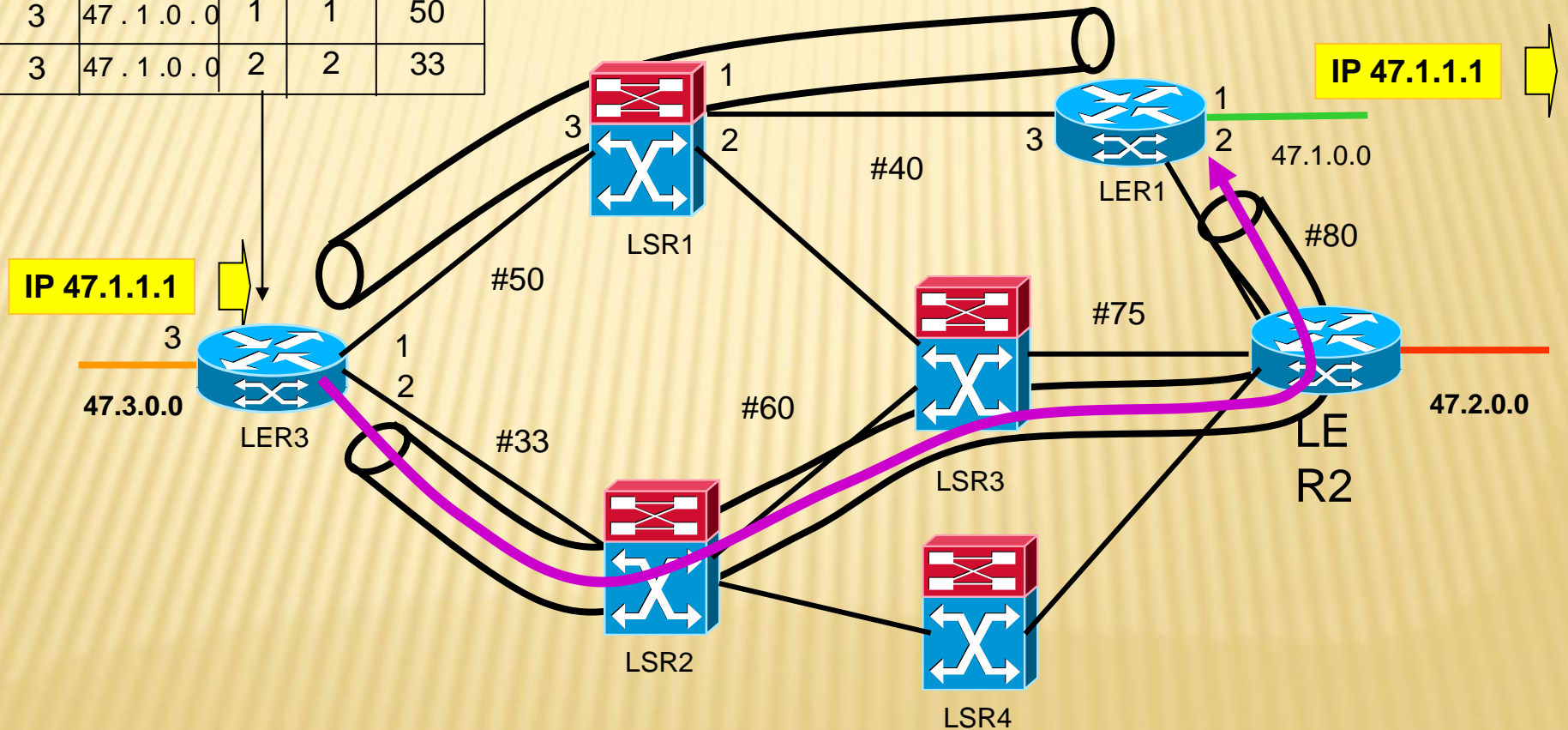
**ER-LSP follows route that source chooses.**

**The control message (*label request*) to establish the LSP is *source routed*.**



# EXPLICITLY ROUTED LSP (ER-LSP)

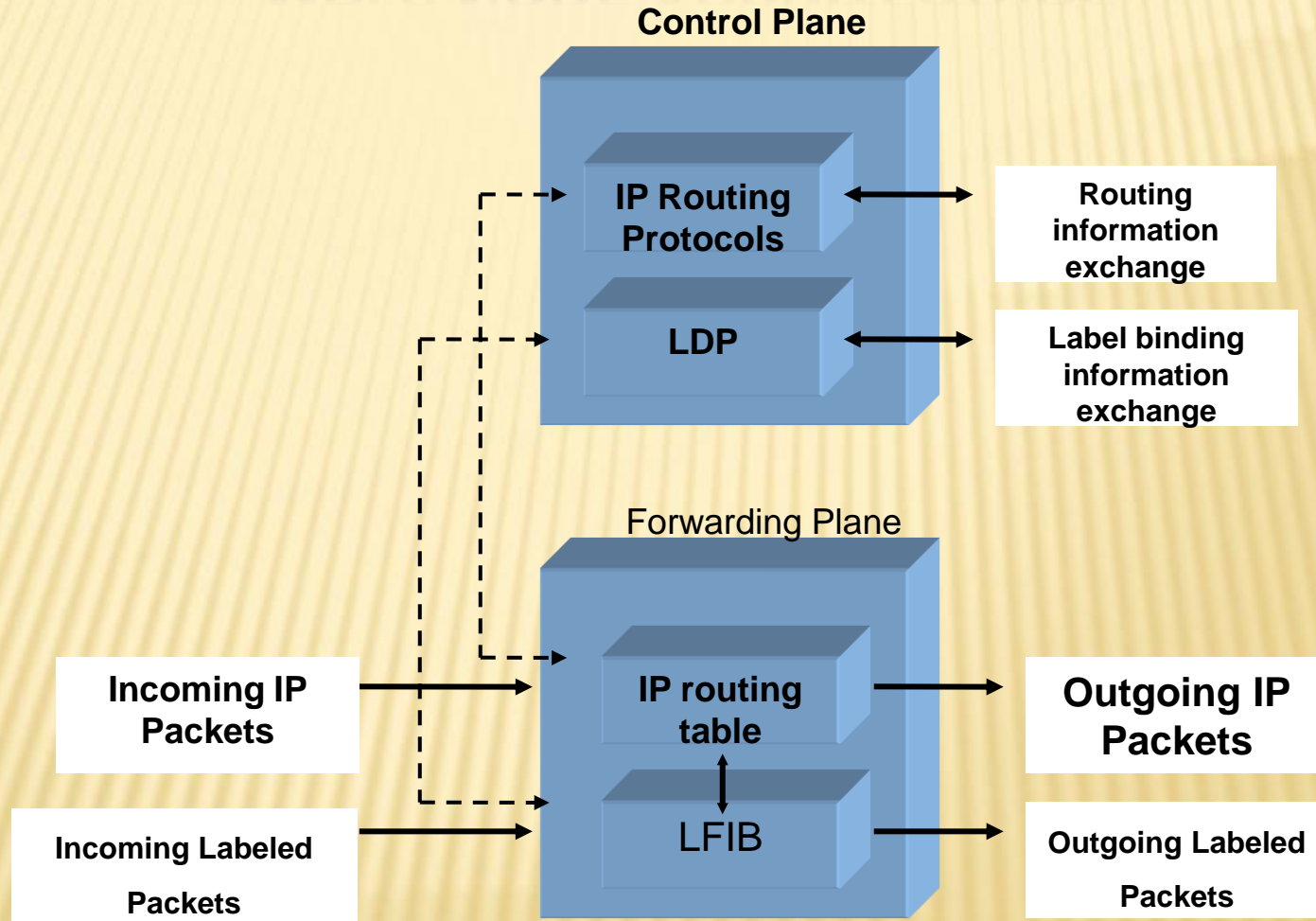
INTF IN	DEST	QoS	INTF OUT	LABEL IN
3	47.1.1.0.0	1	1	50
3	47.1.1.0.0	2	2	33



# ER LSP - ADVANTAGES

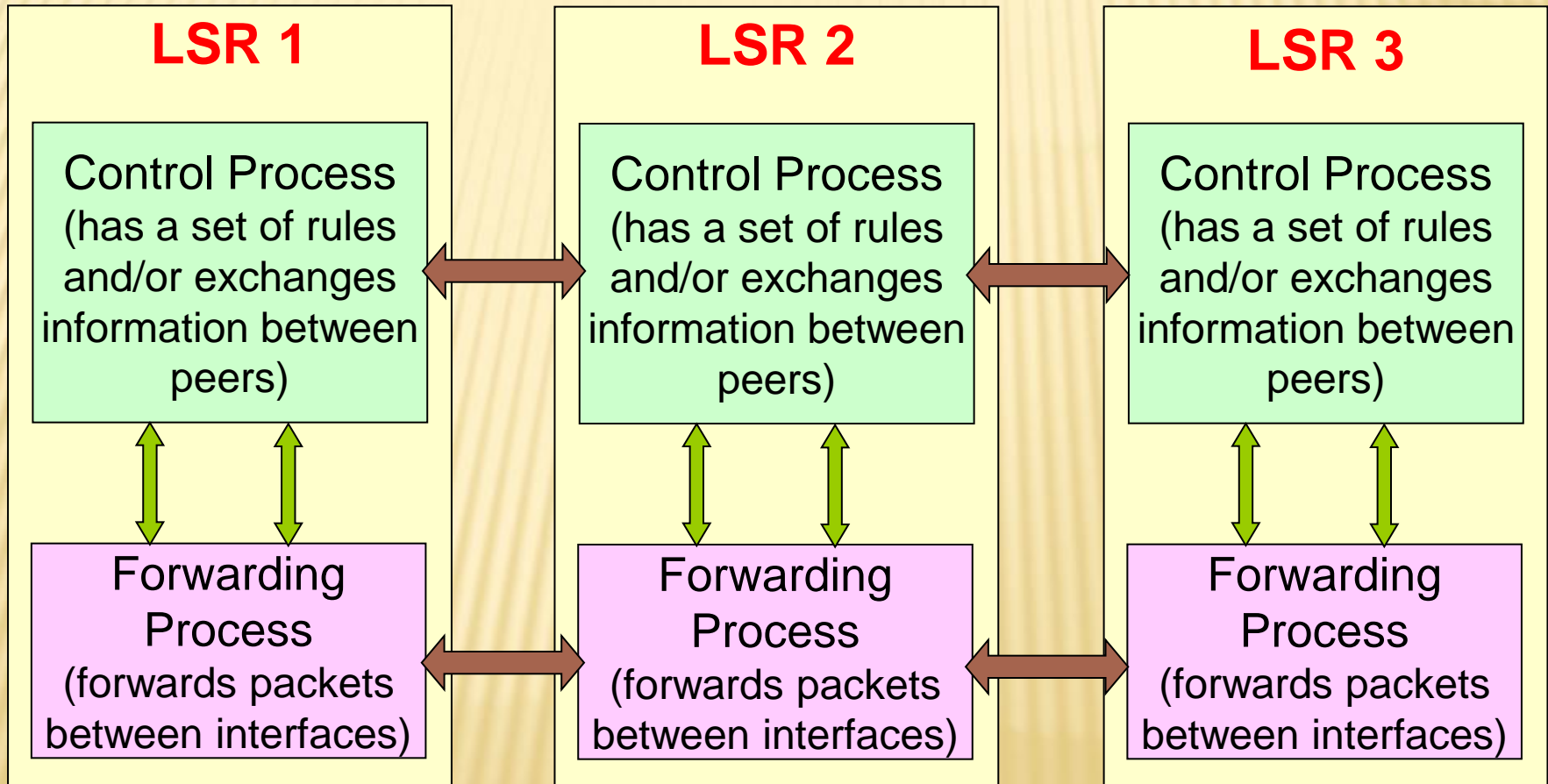
- ⊕ Operator has routing *flexibility* (policy-based, QoS-based)
- ⊕ Can use routes other than shortest path
- ⊕ Can compute routes based on constraints (traffic engineering)

# MPLS NODE ARCHITECTURE

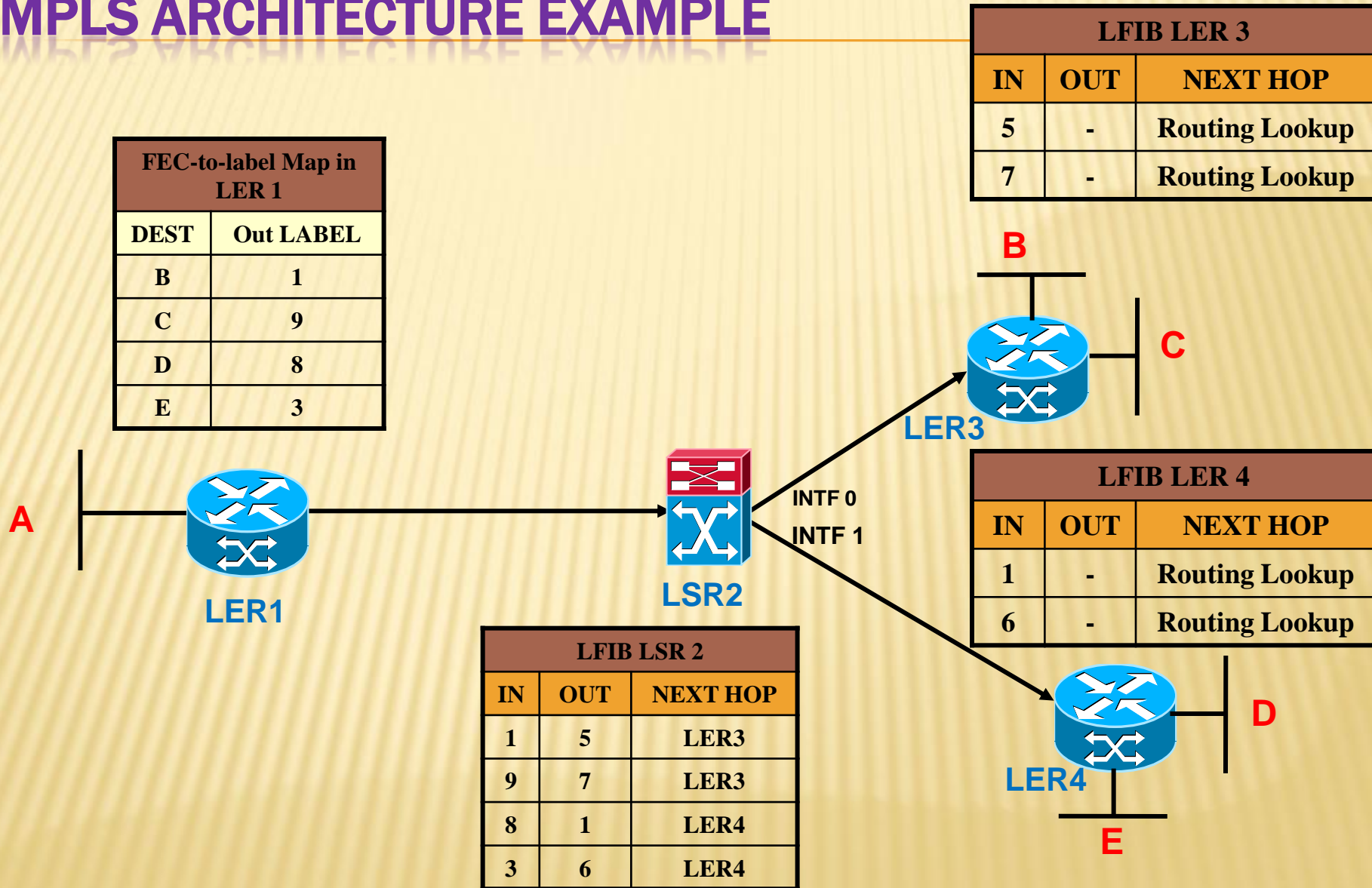


**Label Forwarding Information Base (LFIB)**  
**Label Distribution Protocol (LDP)**

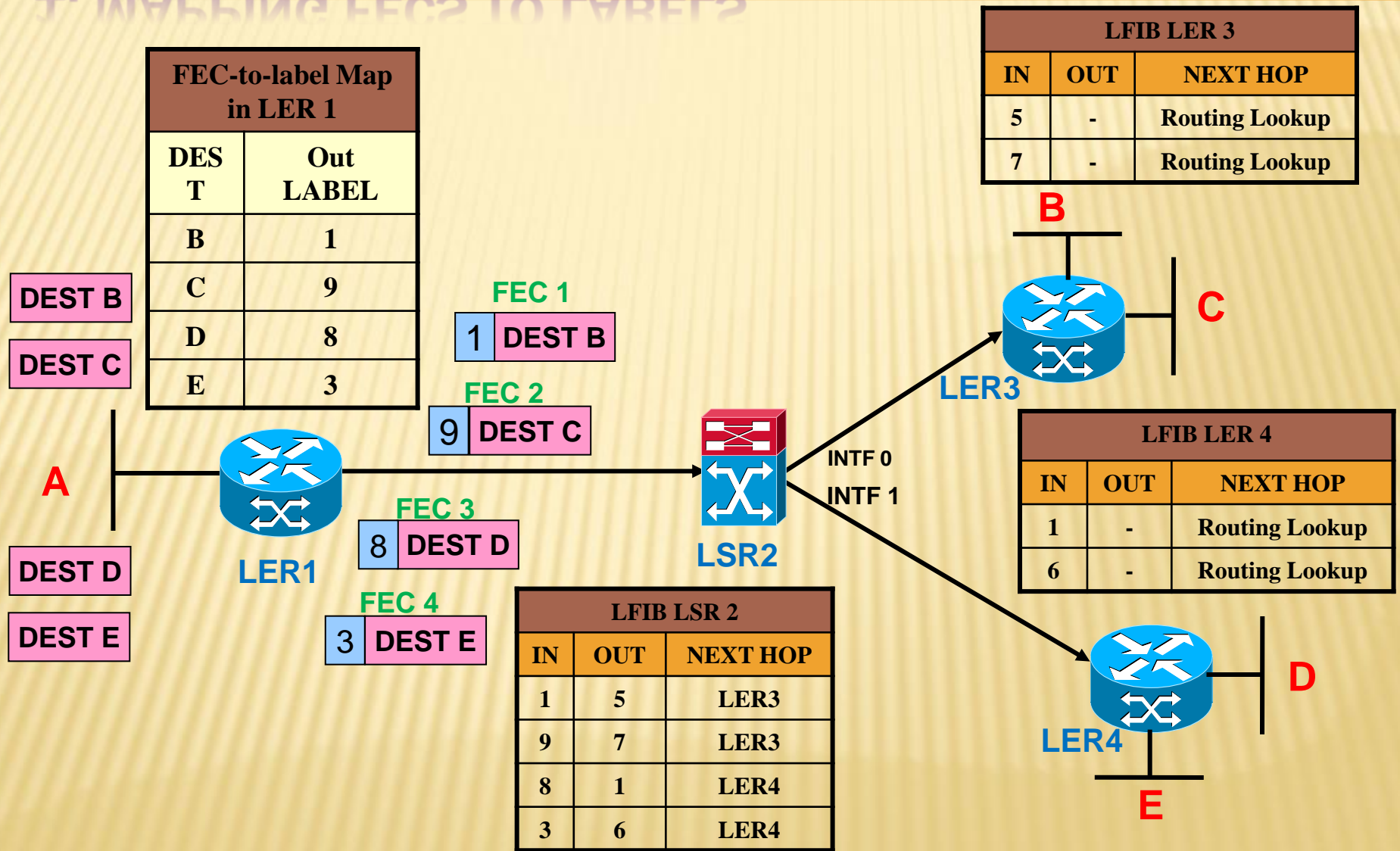
# DECOUPLING CONTROL AND FORWARDING PROCESSES



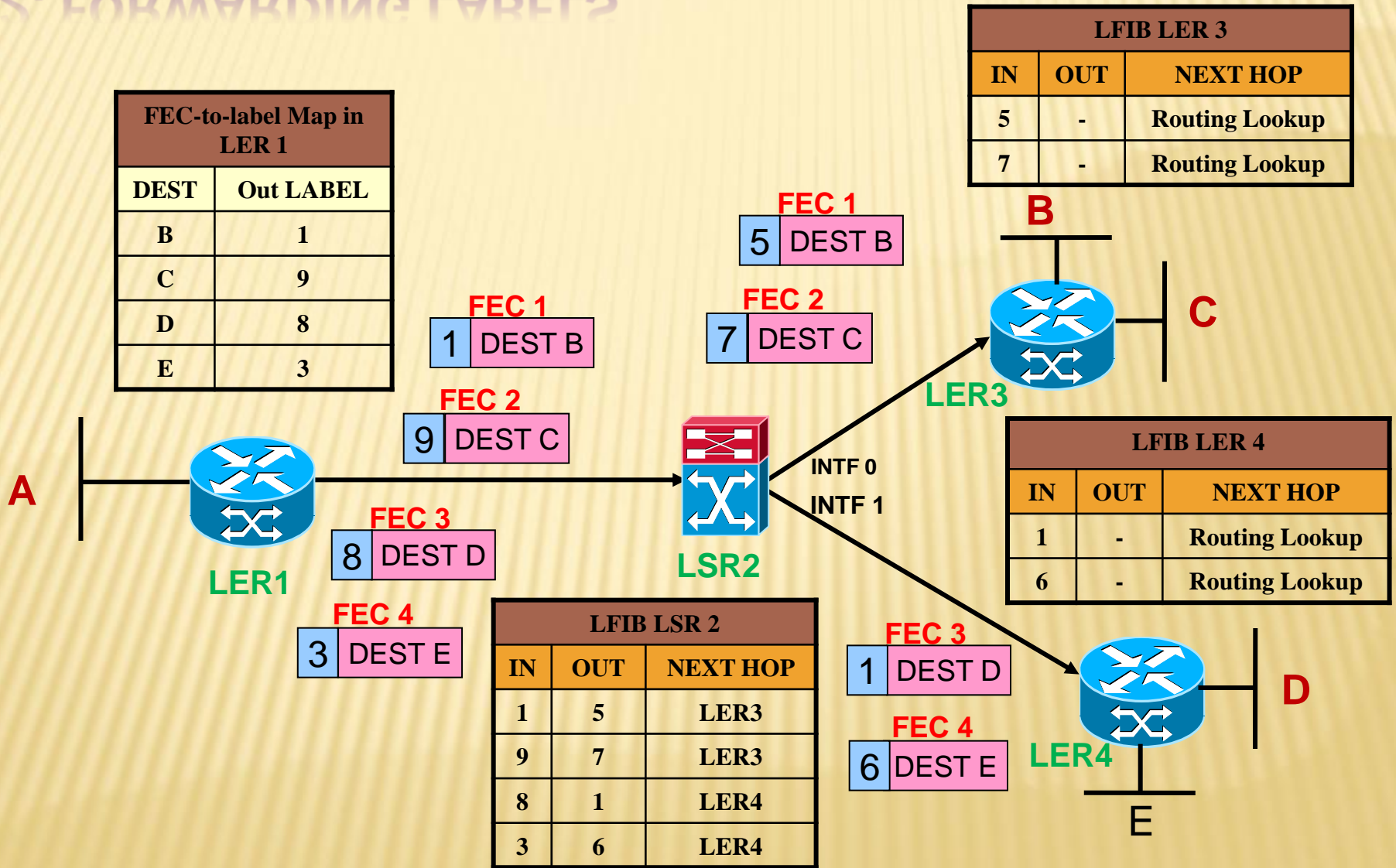
# MPLS ARCHITECTURE EXAMPLE



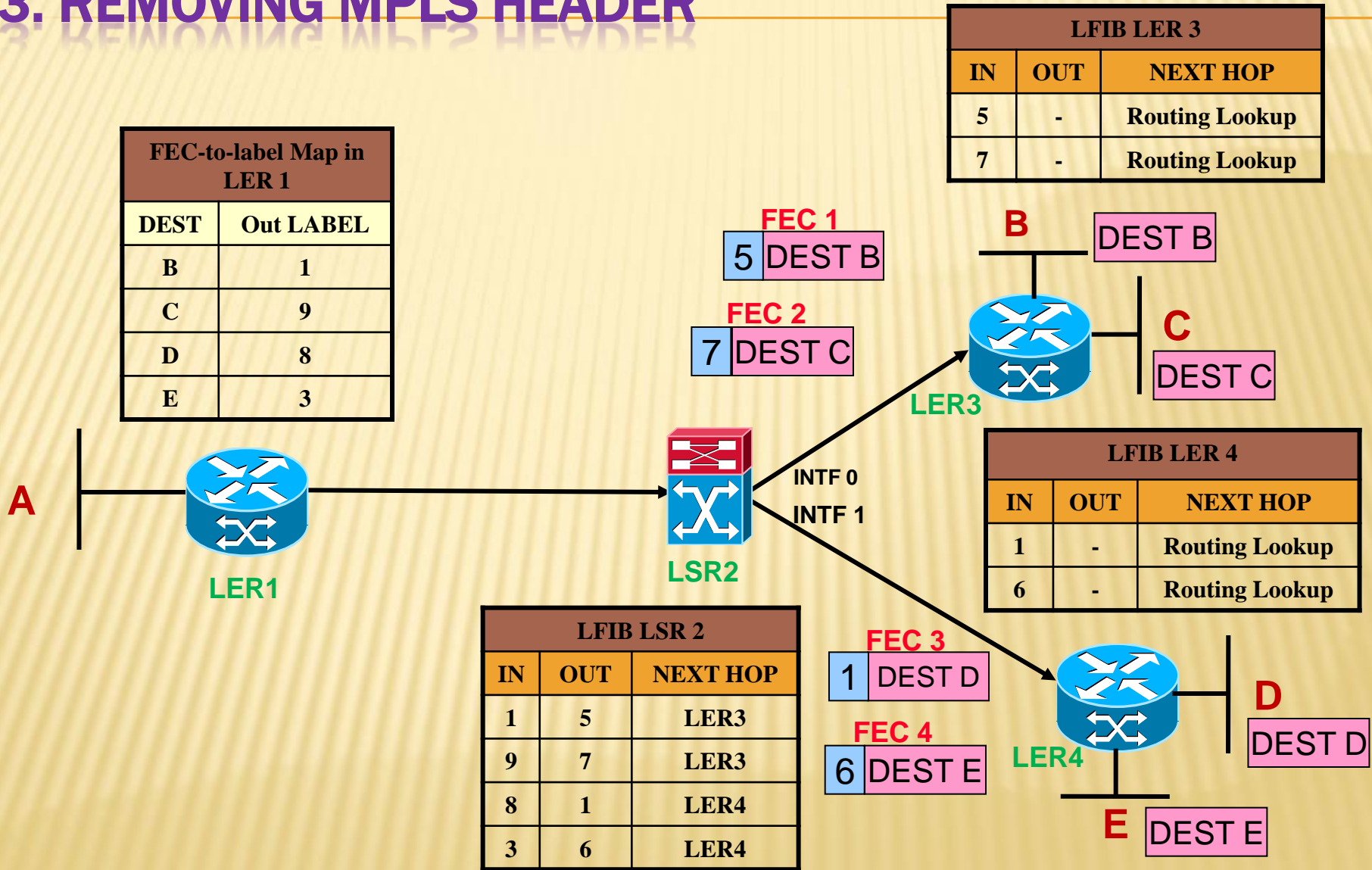
# 1. MAPPING FECs TO LABELS



# 2. FORWARDING LABELS



# 3. REMOVING MPLS HEADER





# MPLS ARCHITECTURE EXAMPLE

