

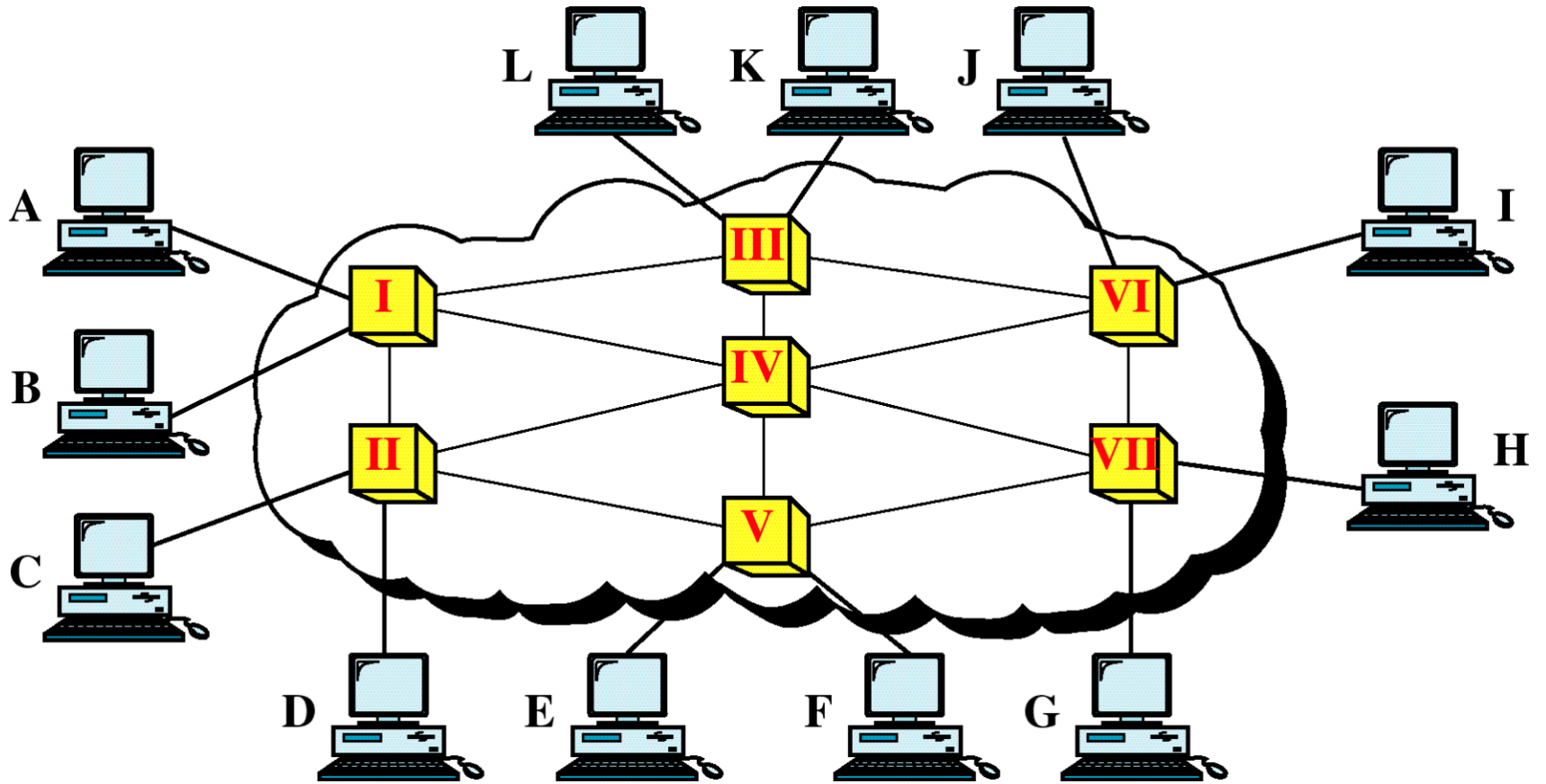
Topics to be covered

Topic	No of Weeks	Contact Hours
Introduction to Broadband Networks Characteristics of High-Speed Networks	1	4
Switching Crossbar Switches Multistage Interconnection Networks (MINs) Omega Networks Delta Networks ATM Switches The Batcher-Banyan Switches High Performance Switches	2	8

Switching

- **Circuit Switching**
- **Packet Switching**
- **Message Switching**

Switched Network



Switching methods

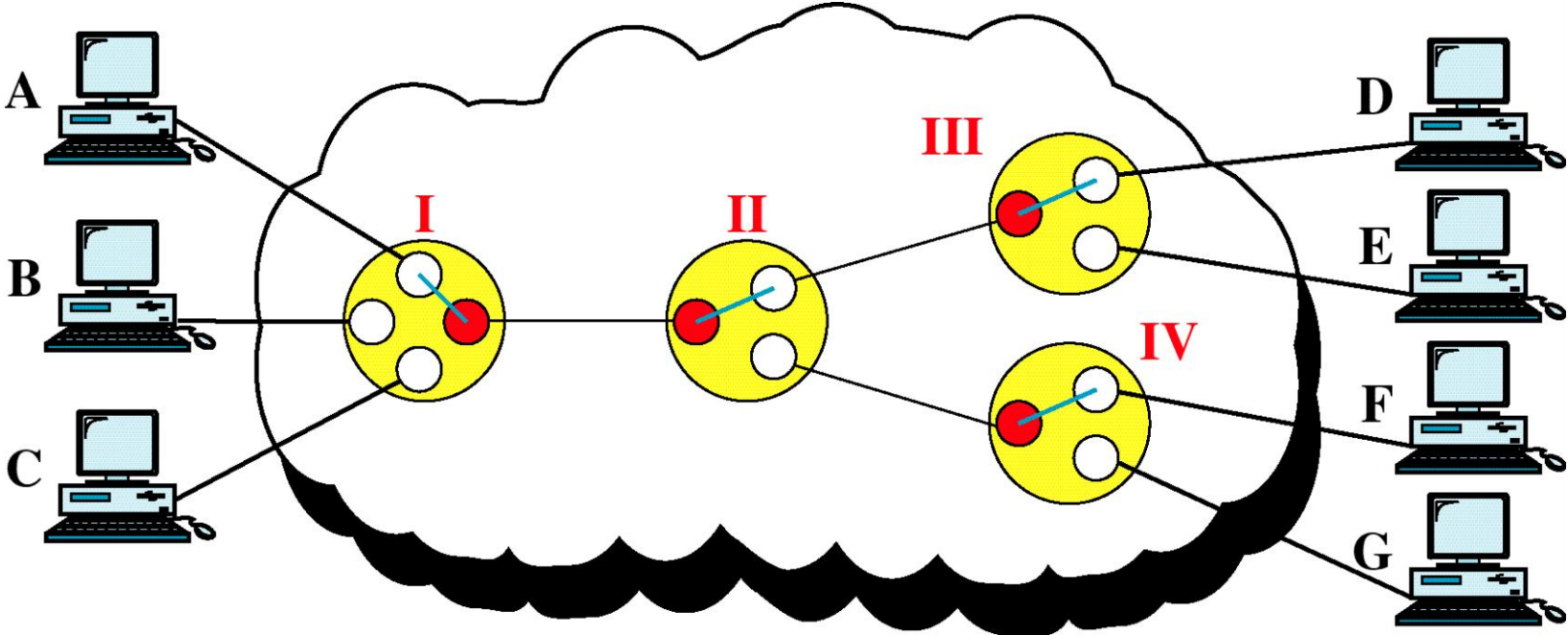
```
graph TD; A[Switching methods] --- B[Circuit switching]; A --- C[Packet switching]; A --- D[Message switching]
```

Circuit switching

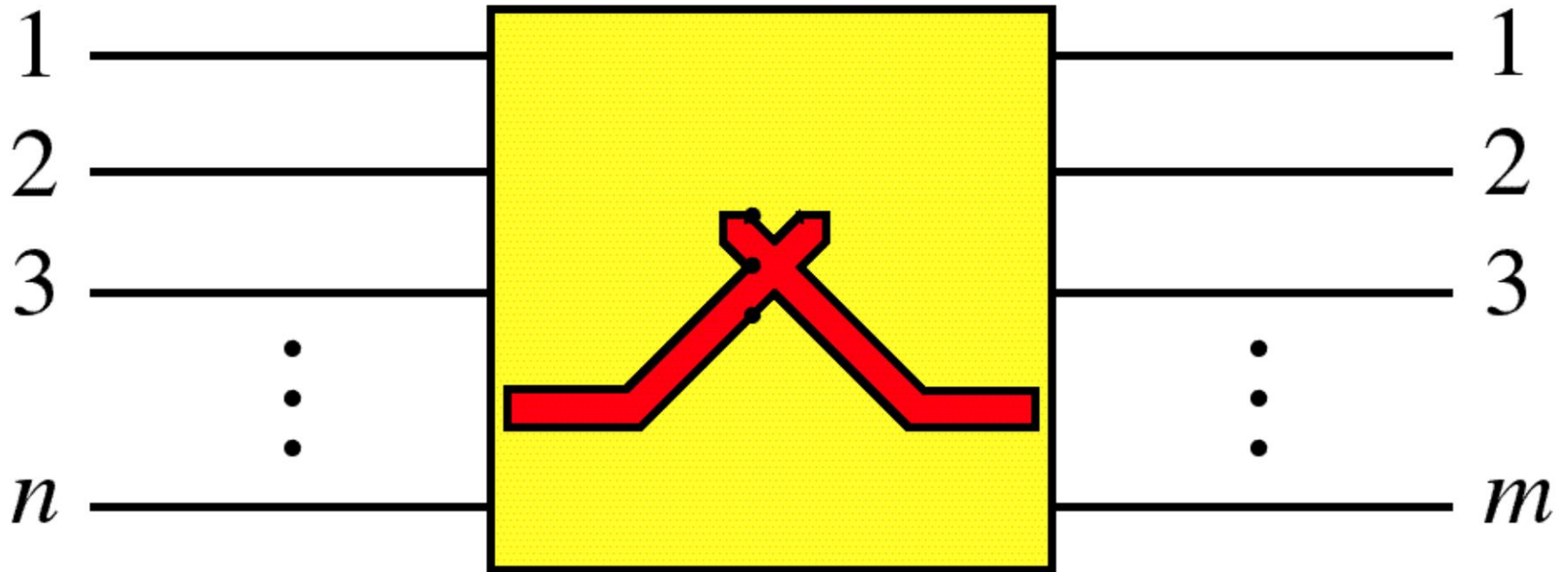
Packet switching

Message switching

Circuit-Switched Network

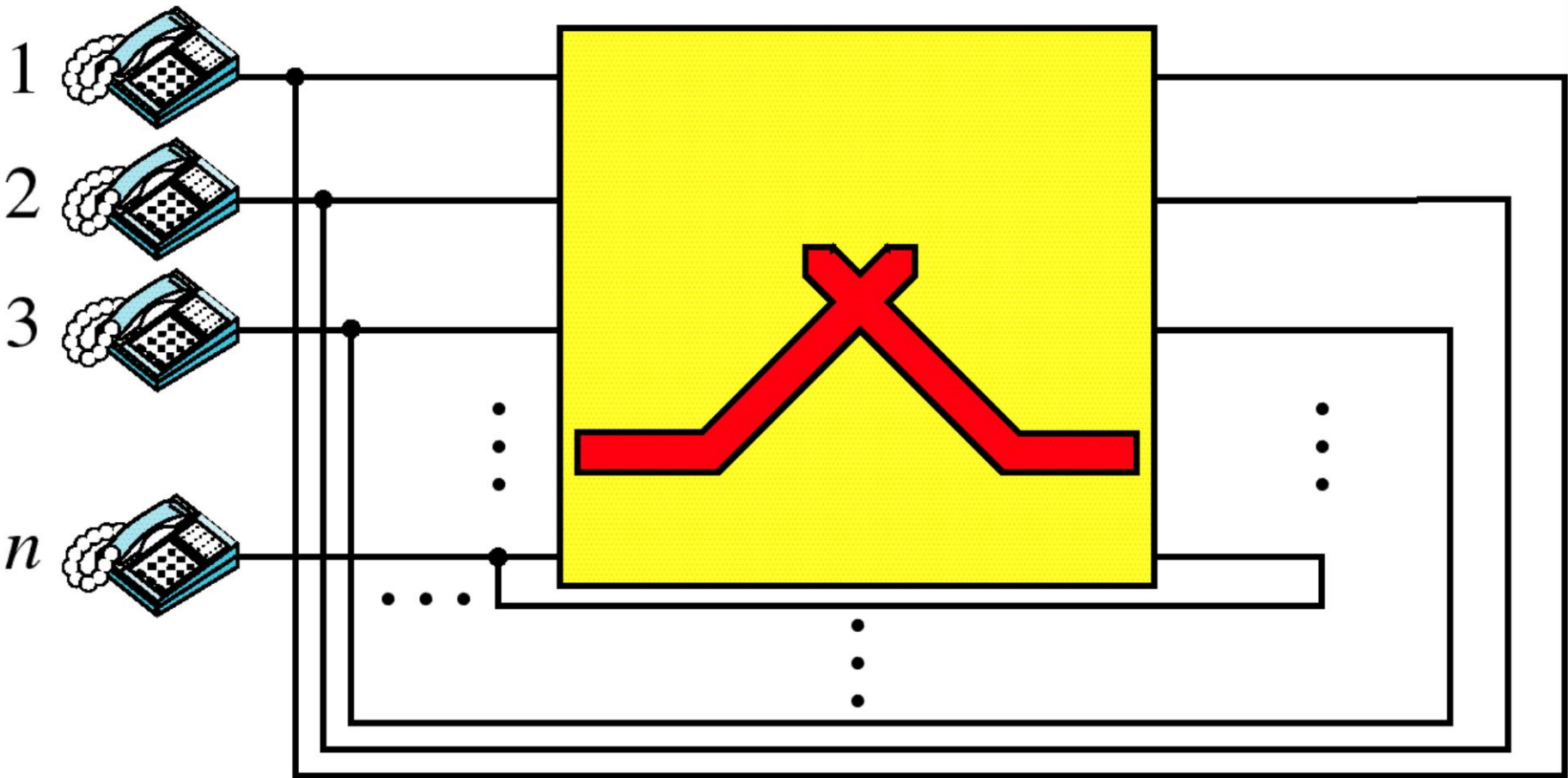


Switch



Folded Switch

Switch



Circuit switching

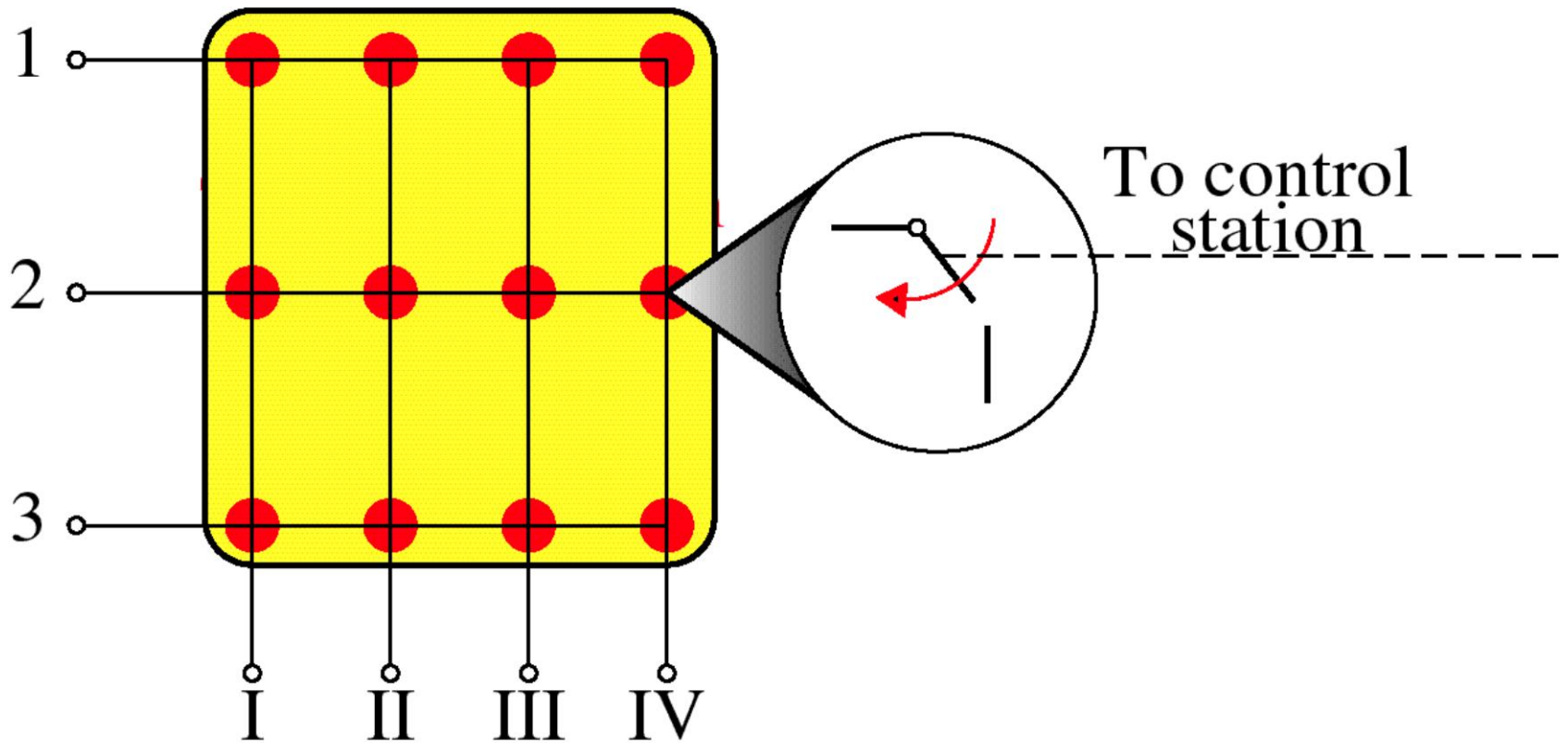
```
graph TD; A[Circuit switching] --- B[Space-division switching]; A --- C[Time-division switching]
```

Space-division switching

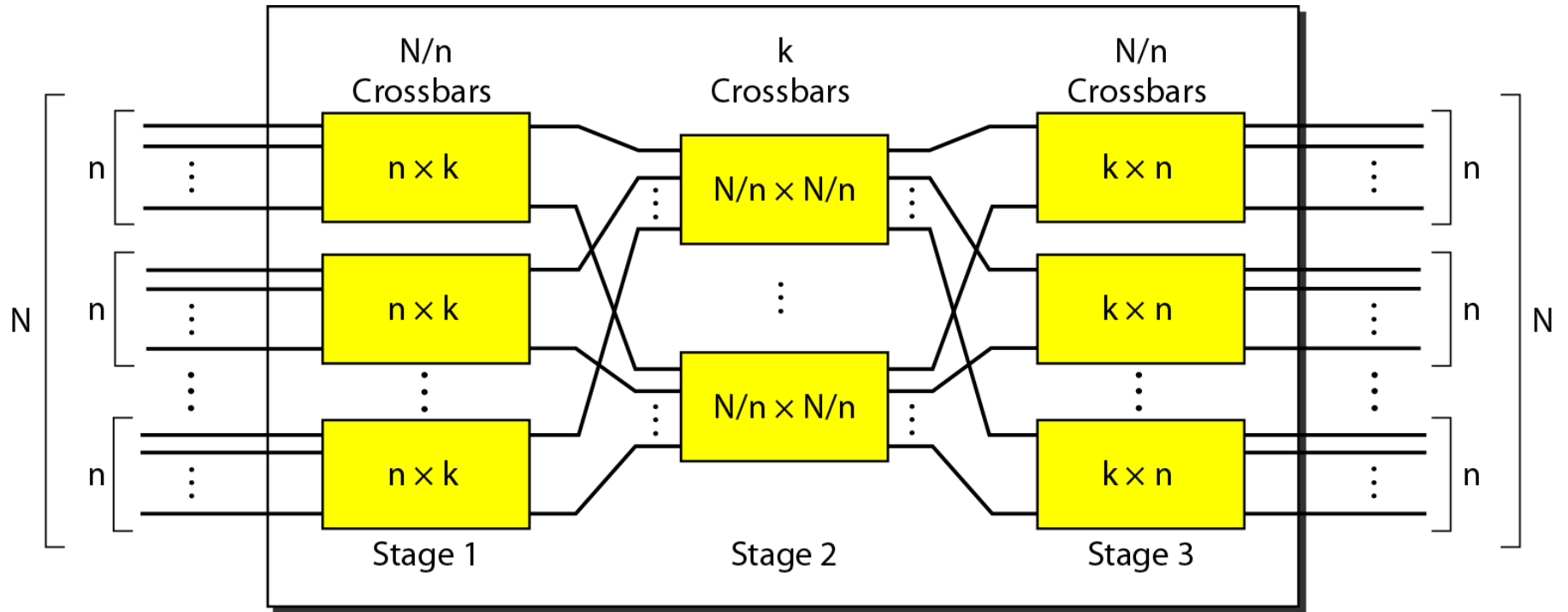
Time-division switching

Crossbar Switch

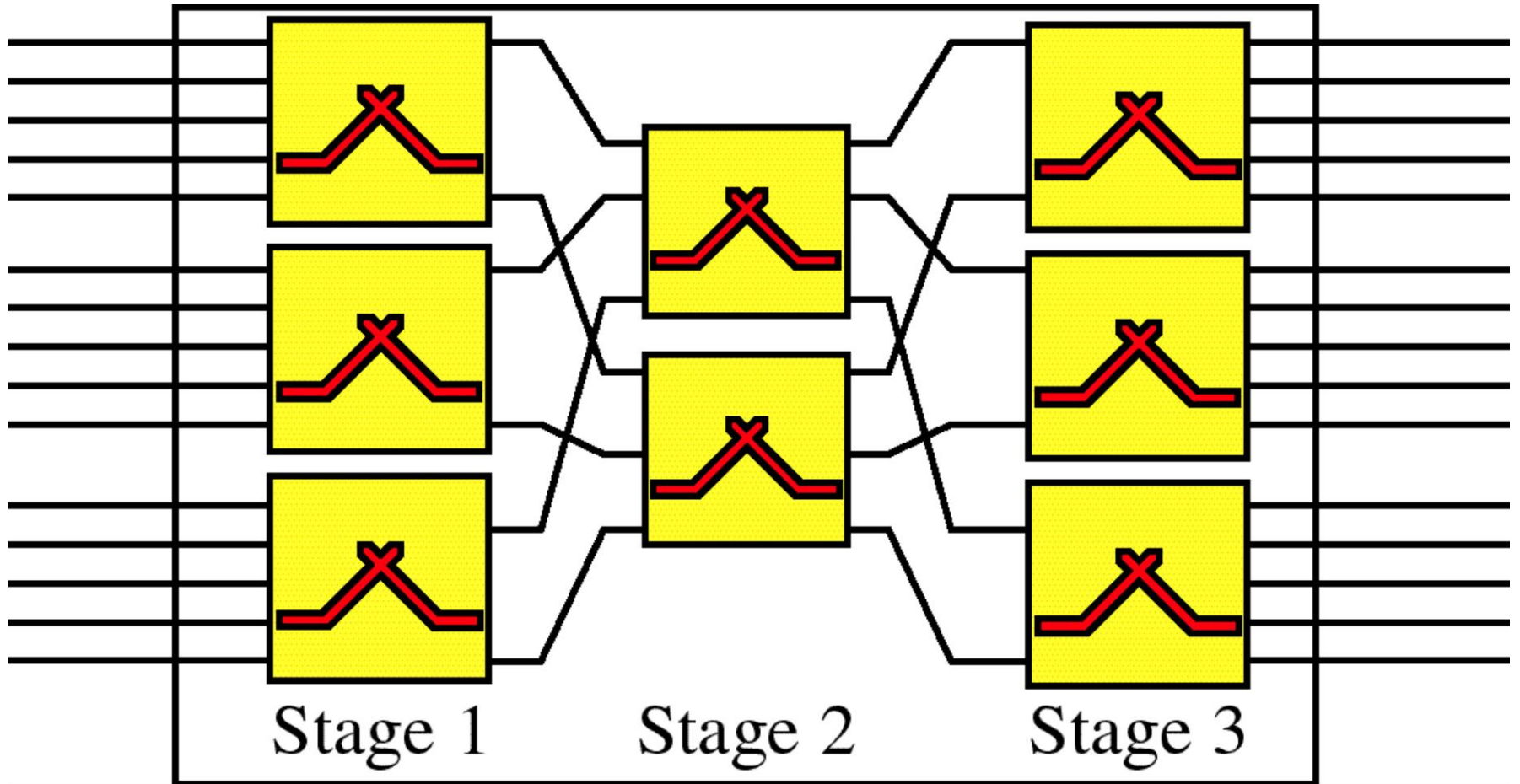
Crossbar switch with three inputs and four outputs



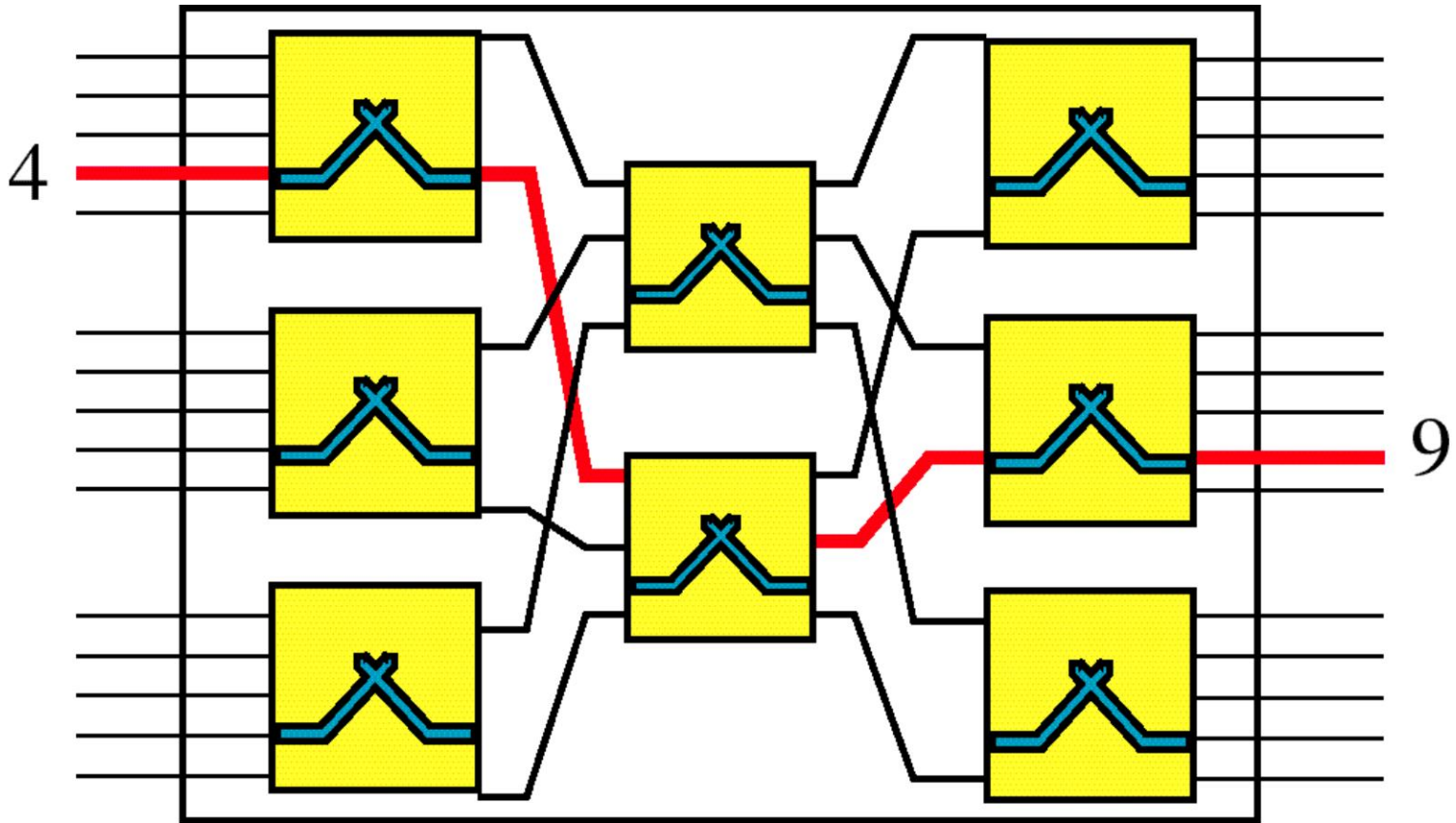
Multistage switch



Multistage Switch

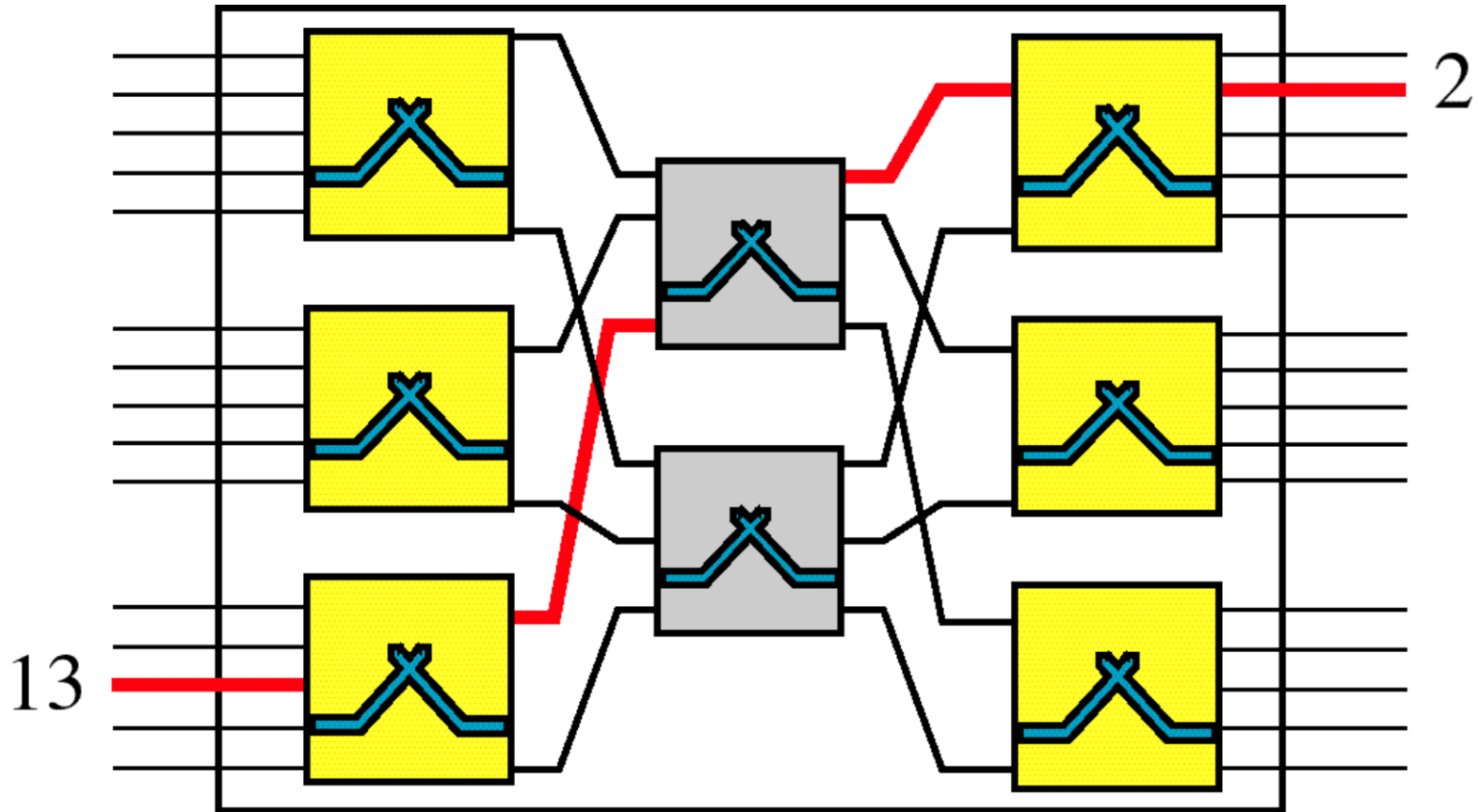


Switching Path



4 connected to 9

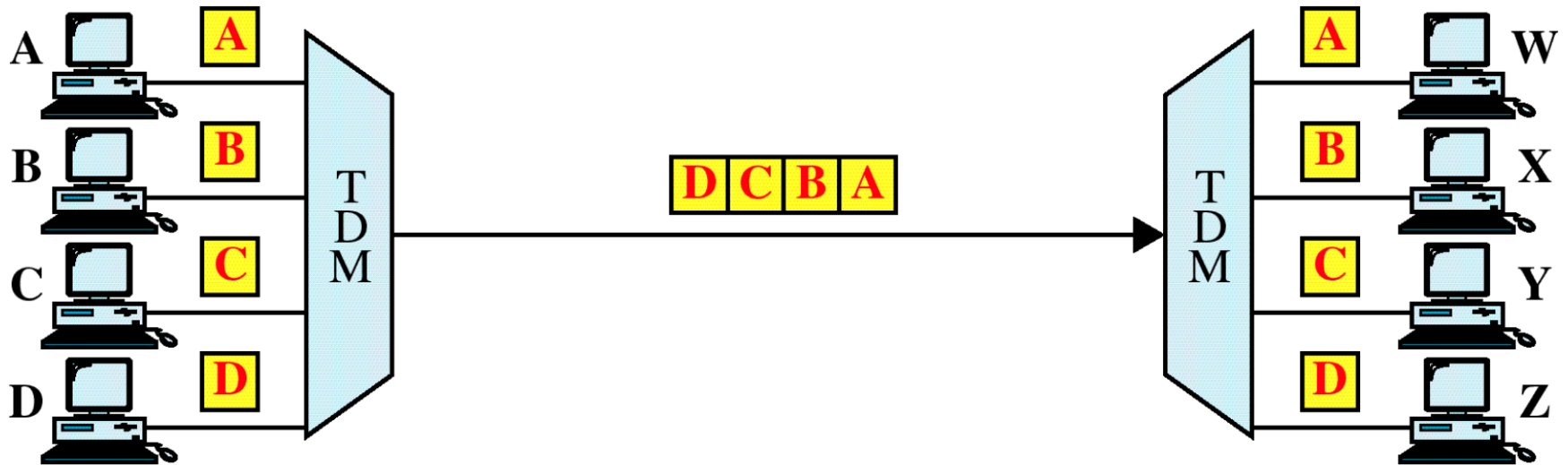
Switching Path



13 connected to 2

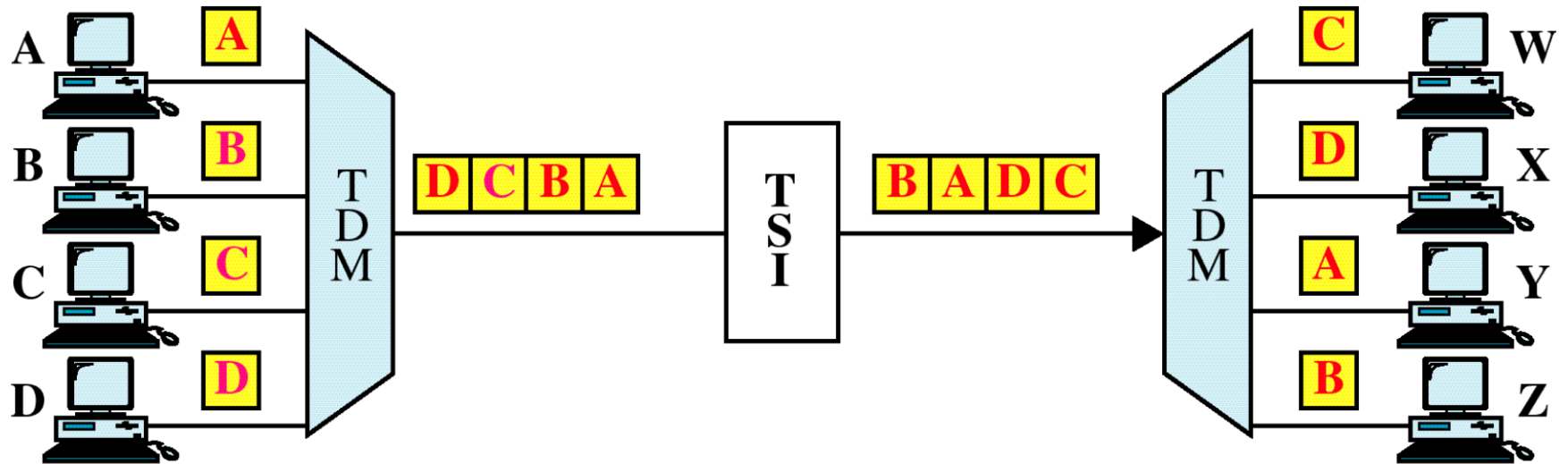
TDM without TSI

TDM : Time-division Multiplexing
TSI : Time-Slot Interchange



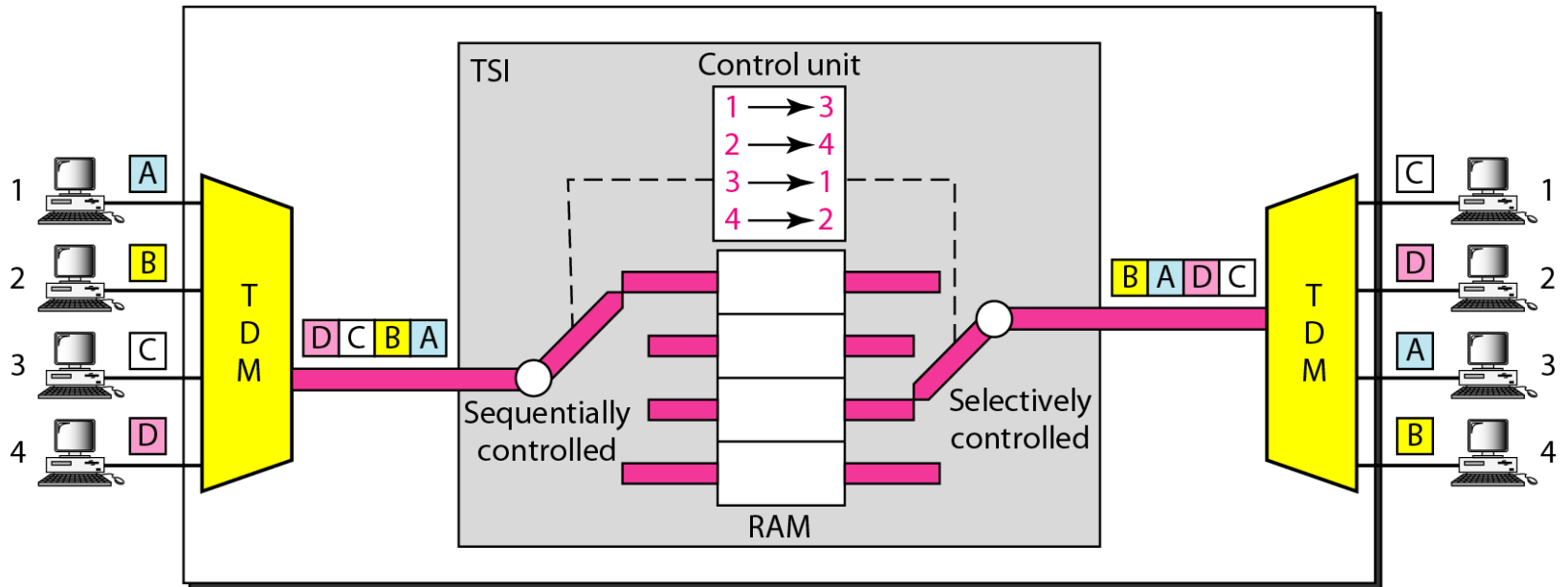
No switching

TDM with TSI



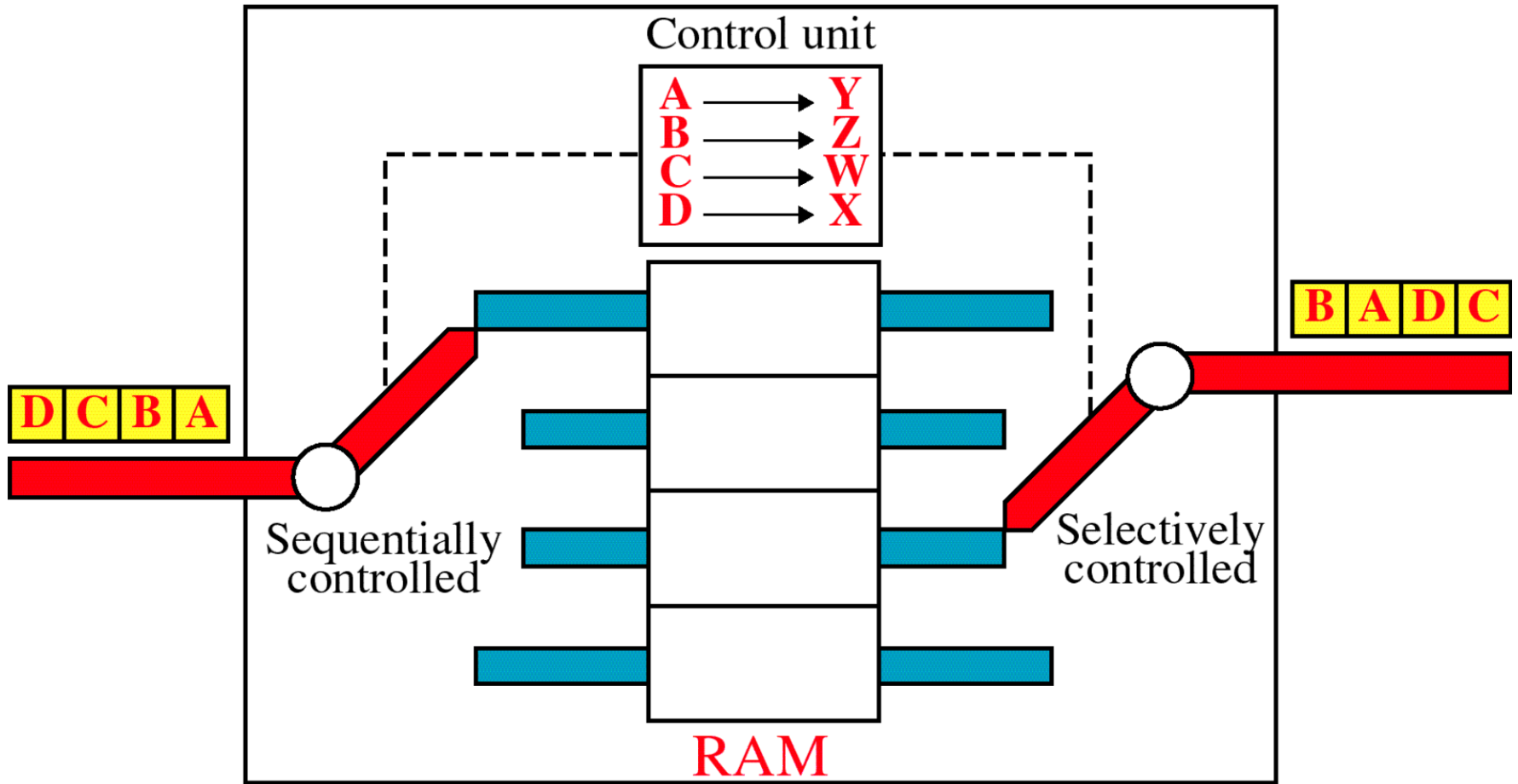
Switching

Time-division switch



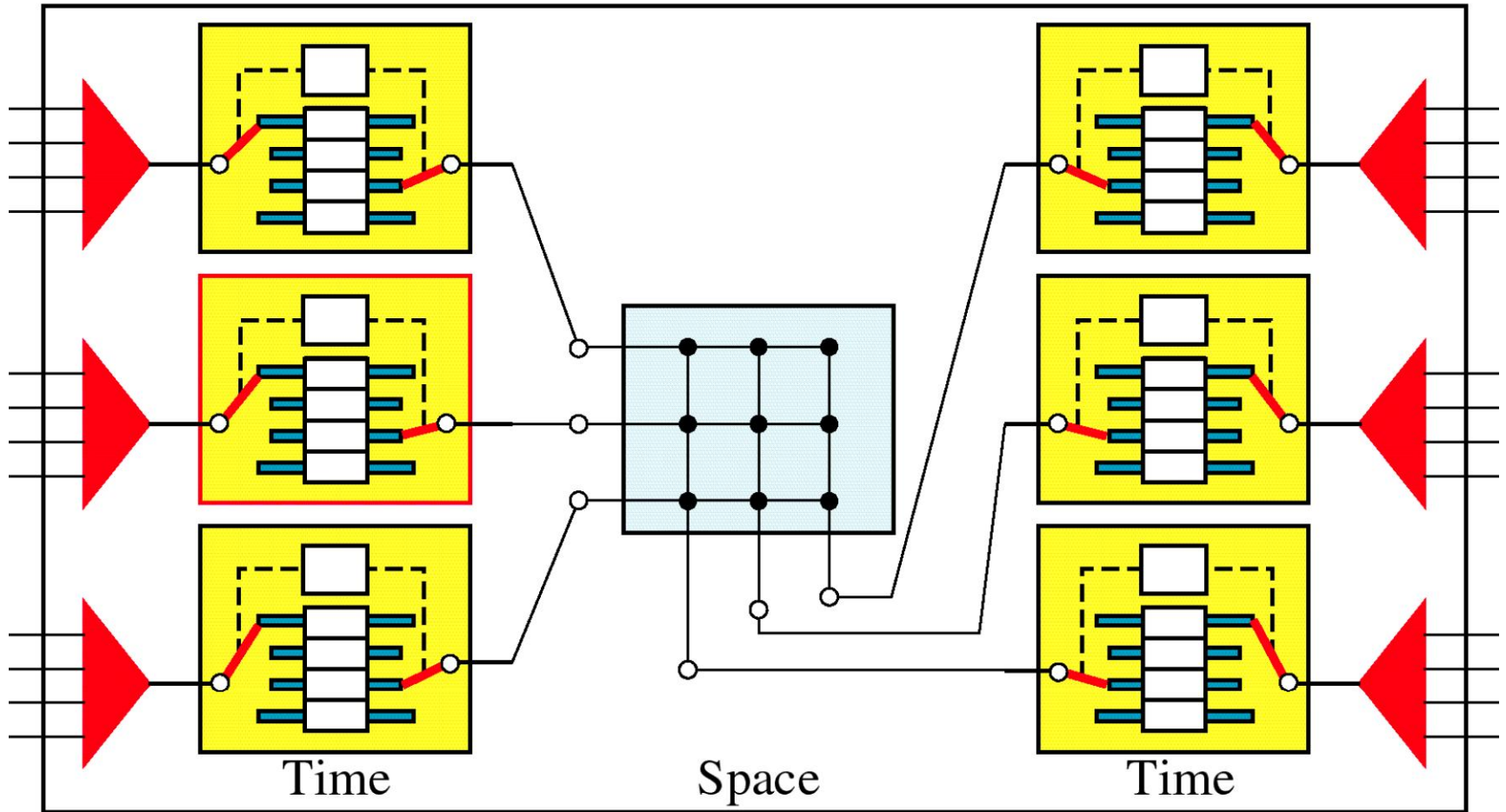
Time-Slot Interchange

TSI



TST Switch

TST



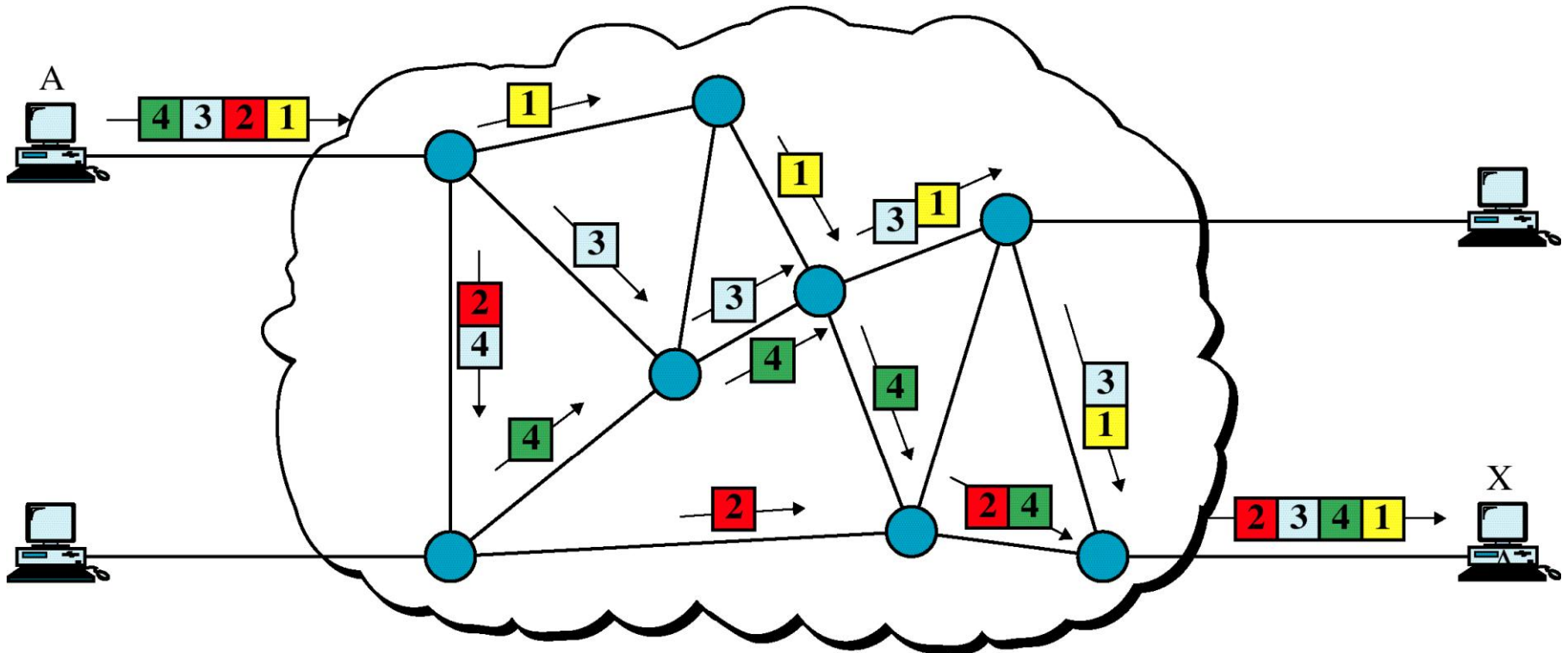
Packet switching

```
graph TD; A[Packet switching] --> B[Datagram approach]; A --> C[Virtual circuit approach];
```

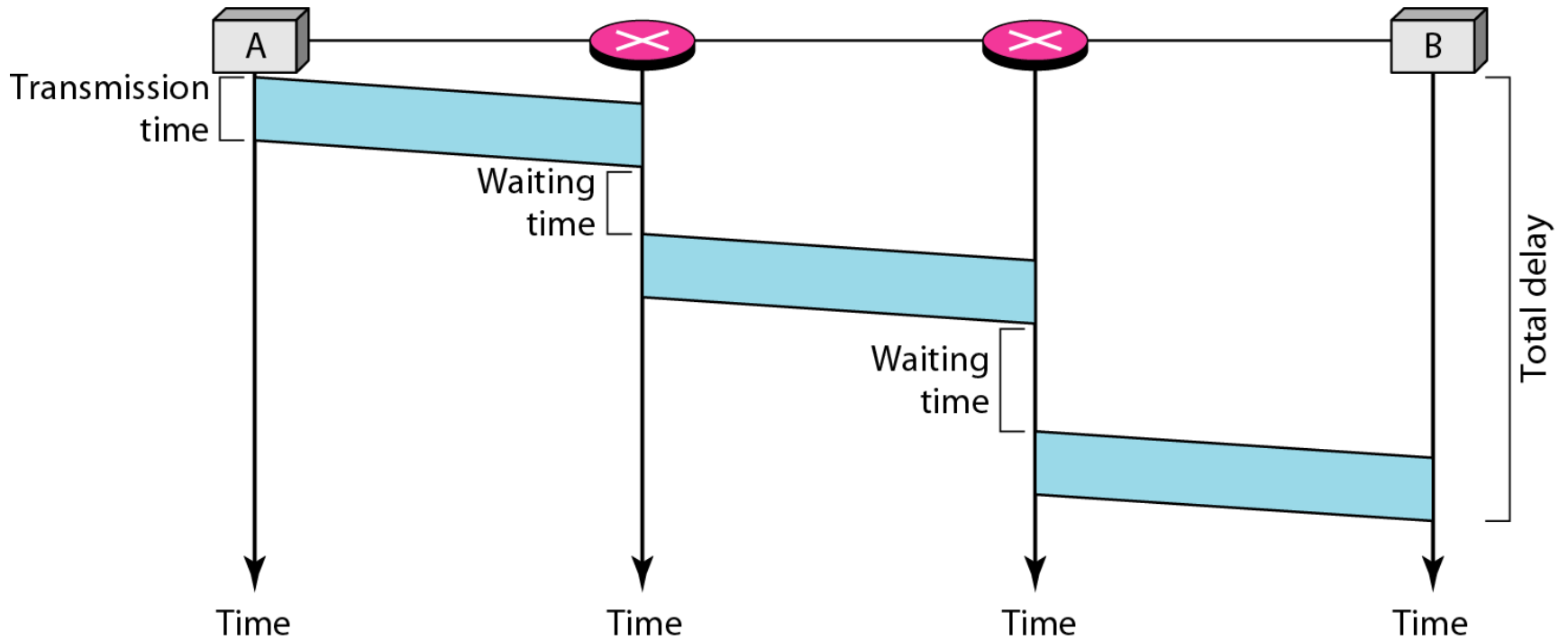
Datagram approach

Virtual circuit approach

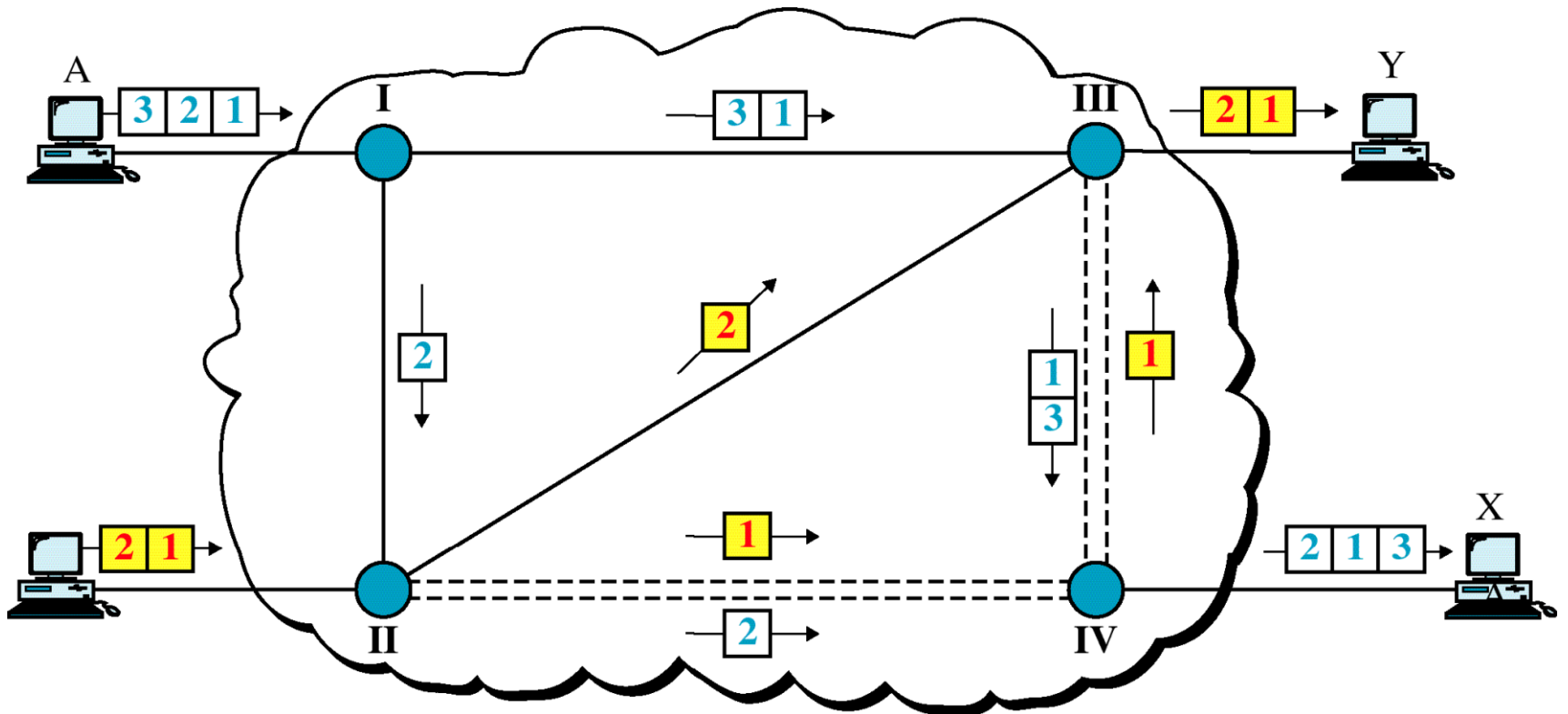
Datagram Approach



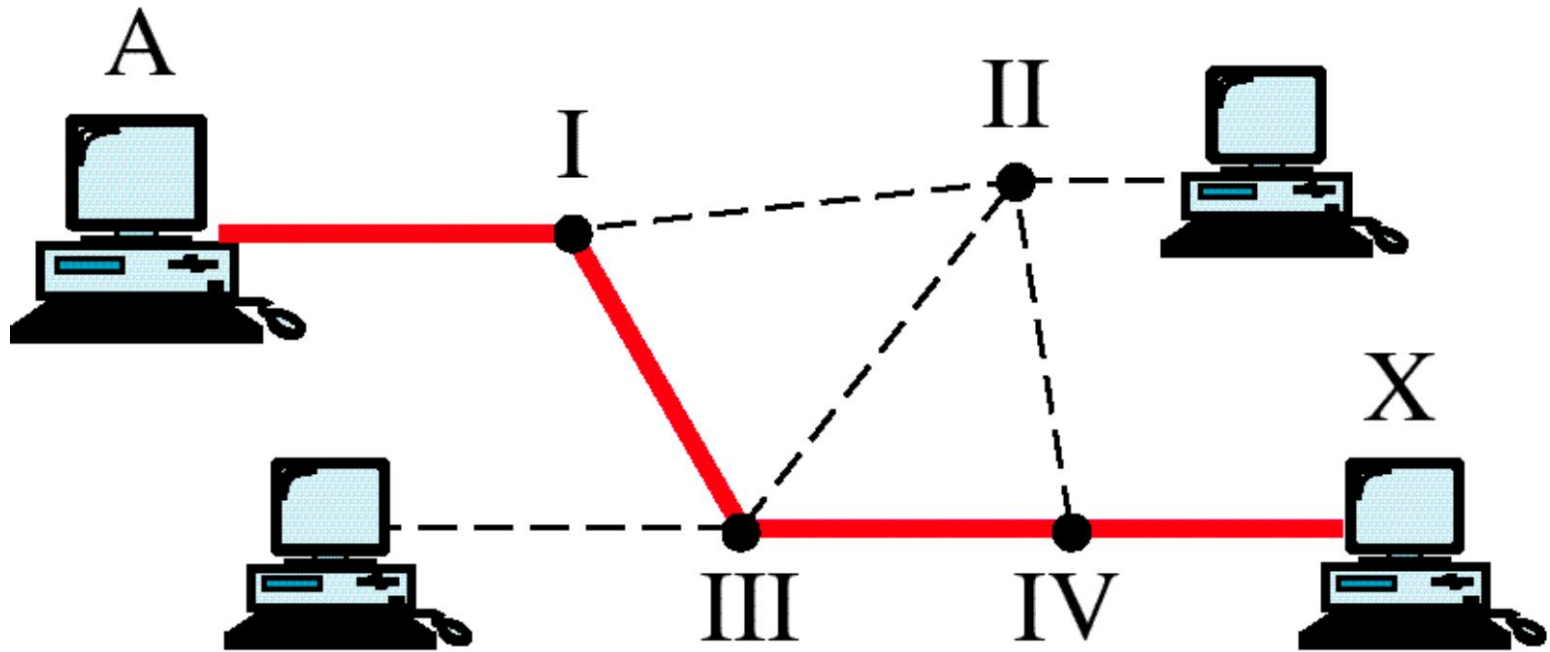
Delay in a datagram network



Datagram Approach, Multiple Channels

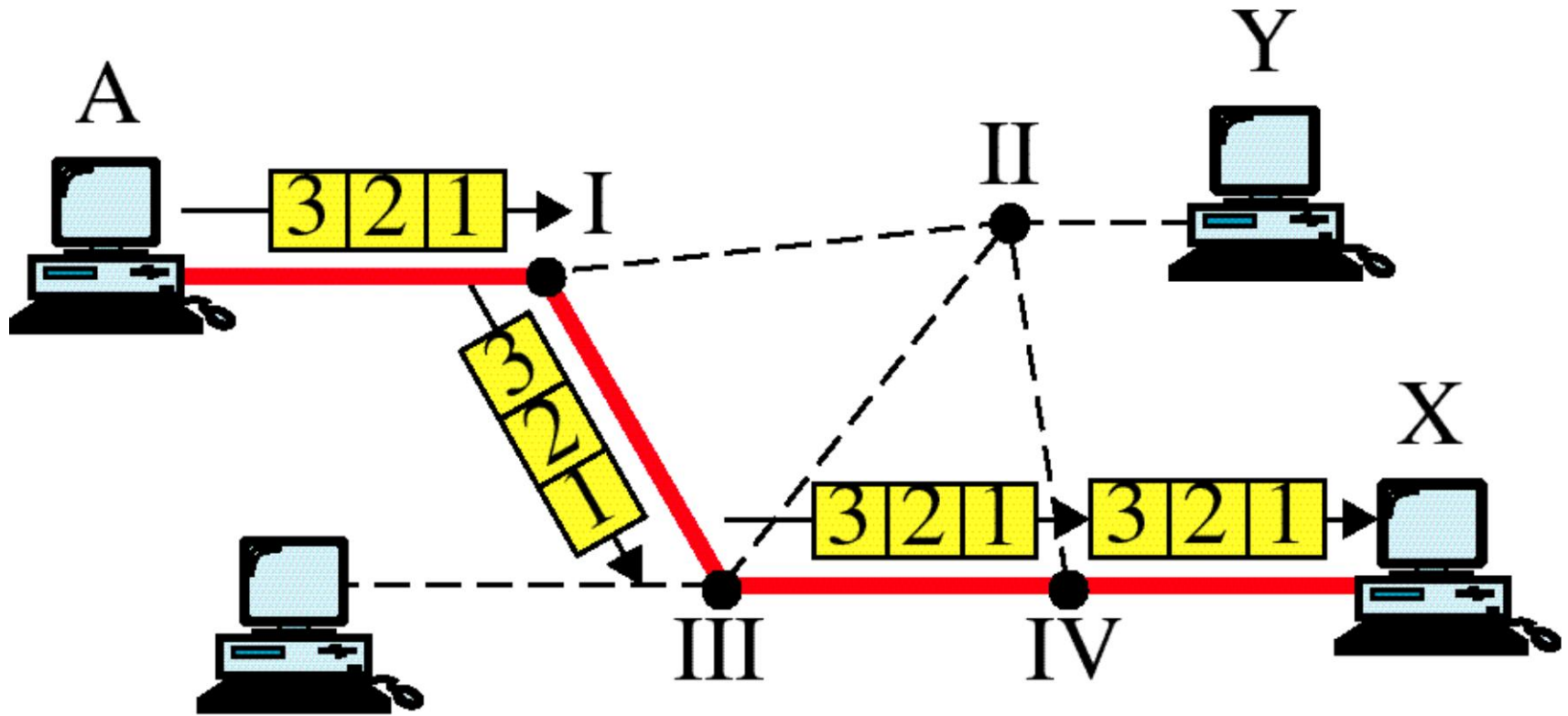


Switched Virtual Circuit



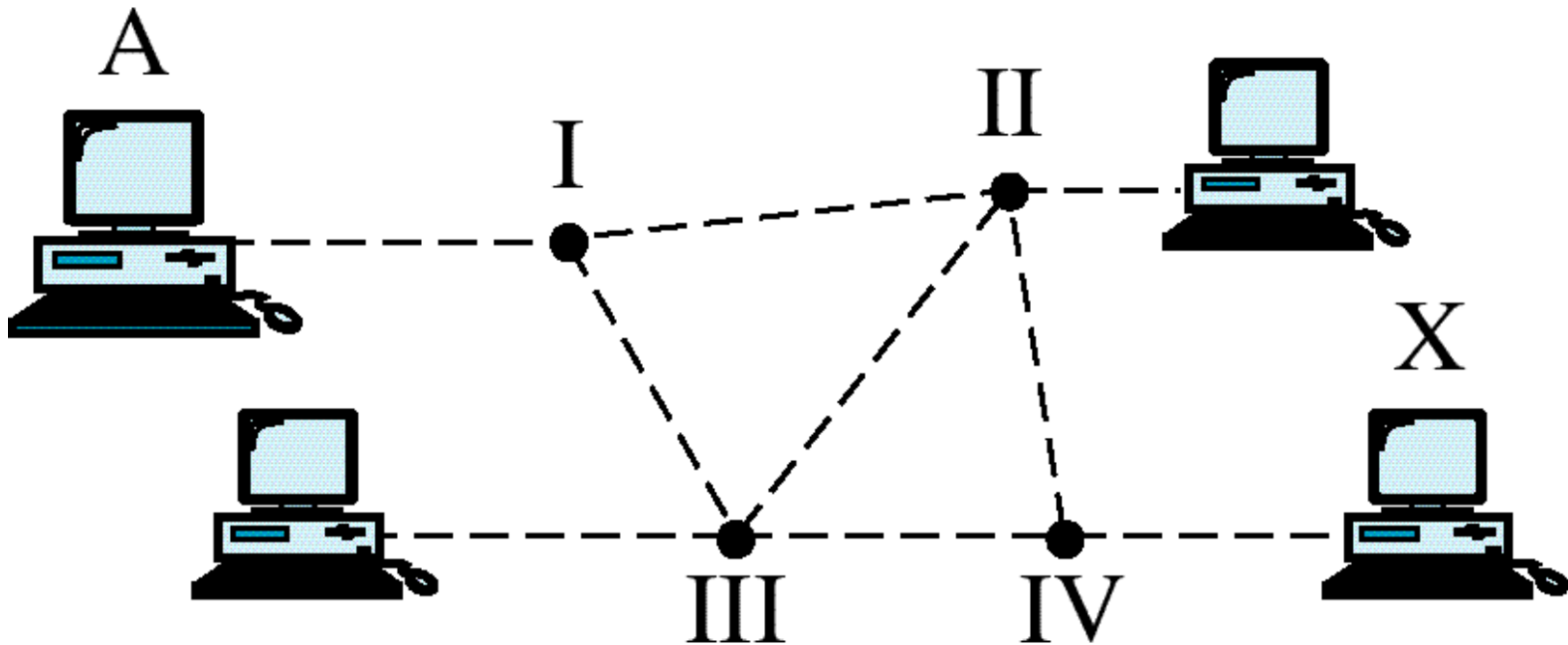
Connection establishment

Switched Virtual Circuit



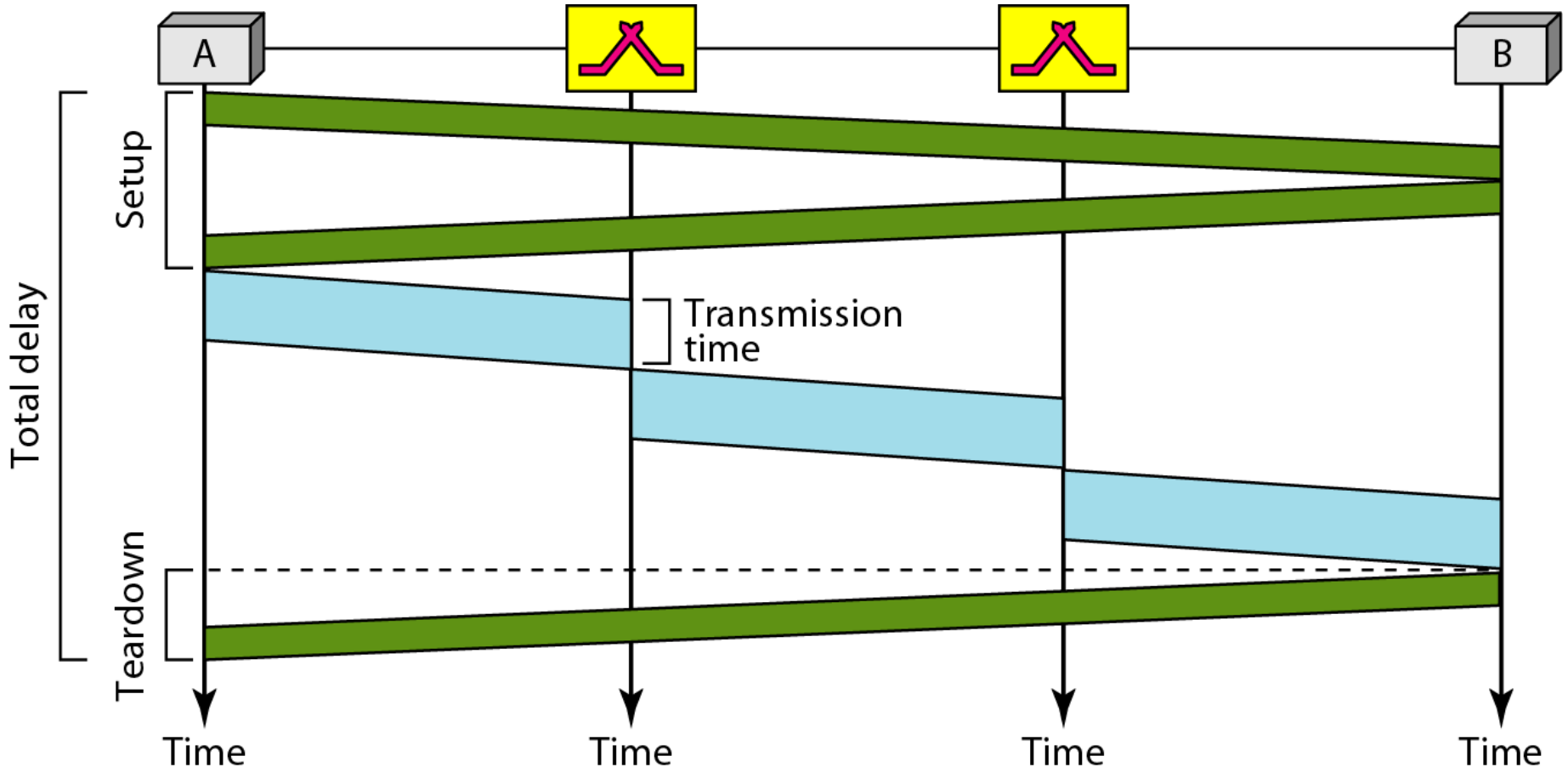
Data transfer

Switched Virtual Circuit



Connection release

Delay in a virtual-circuit network



Message Switching

