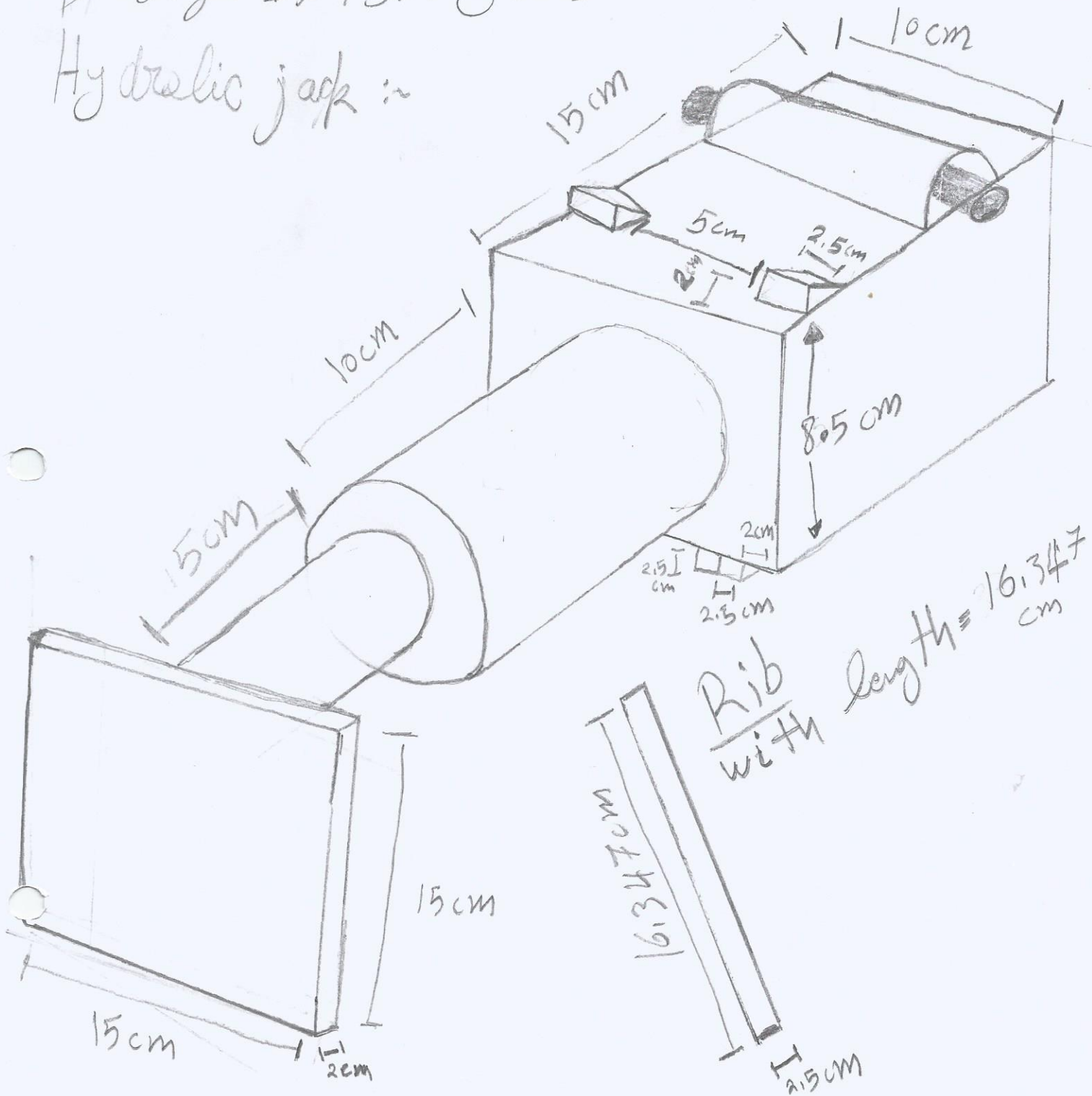


Page number	Task	Date
1	Design 1 (hydraulic jack)	2/8/2019
2	Design 2 (hydraulic jack)	2/9/2019
3	Design 3 (hydraulic jack)	2/9/2019
4	Search and research	14/9/2019

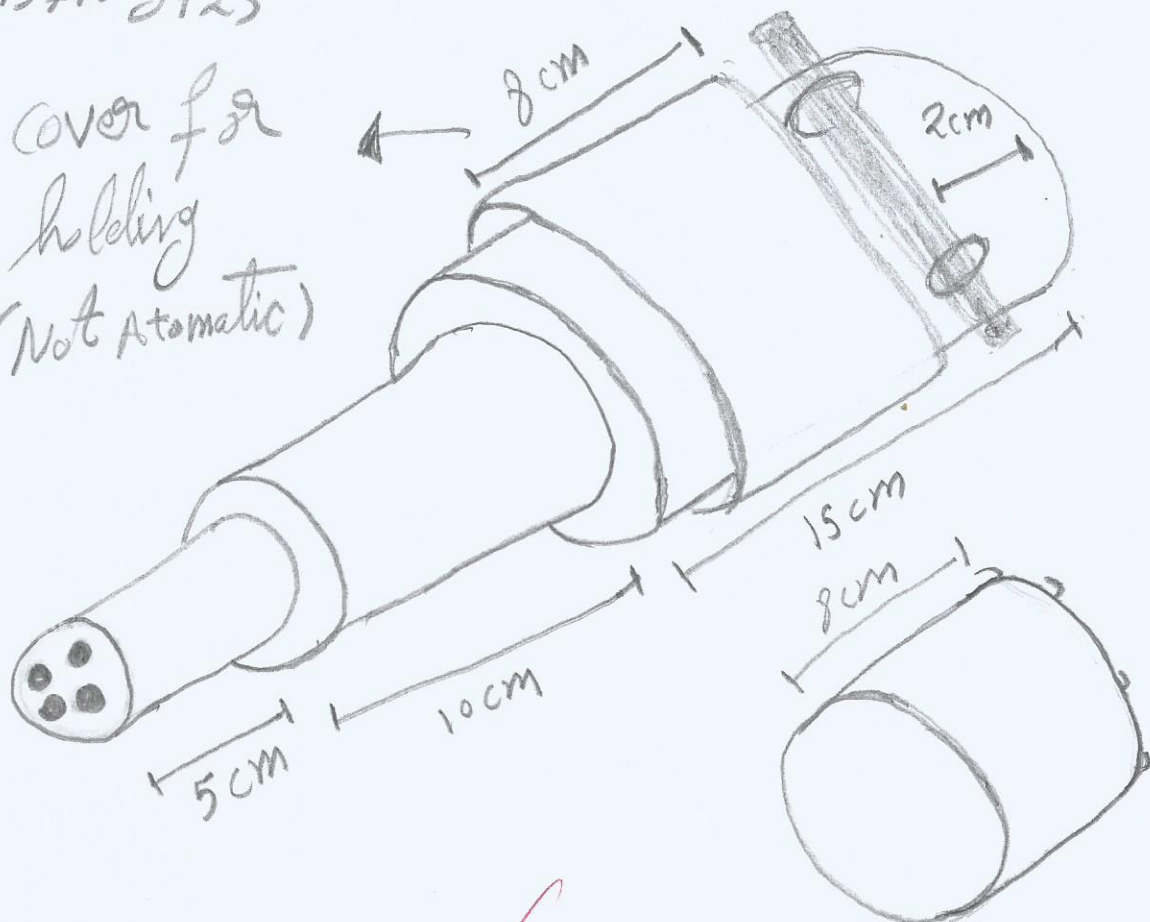
Design 1) 437108923

Hydraulic jack is



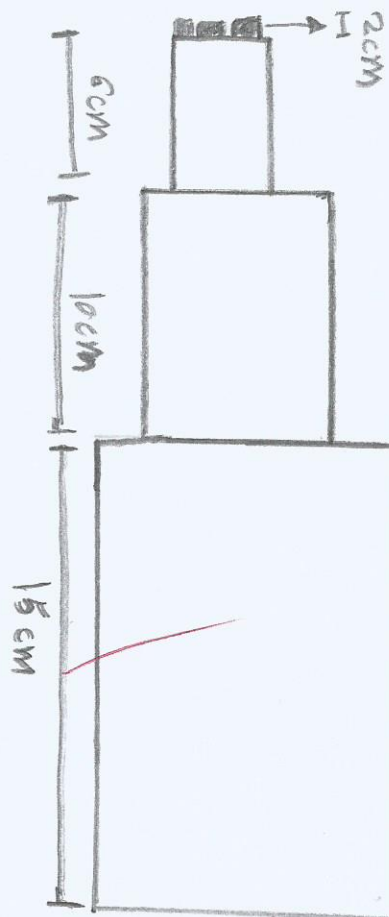
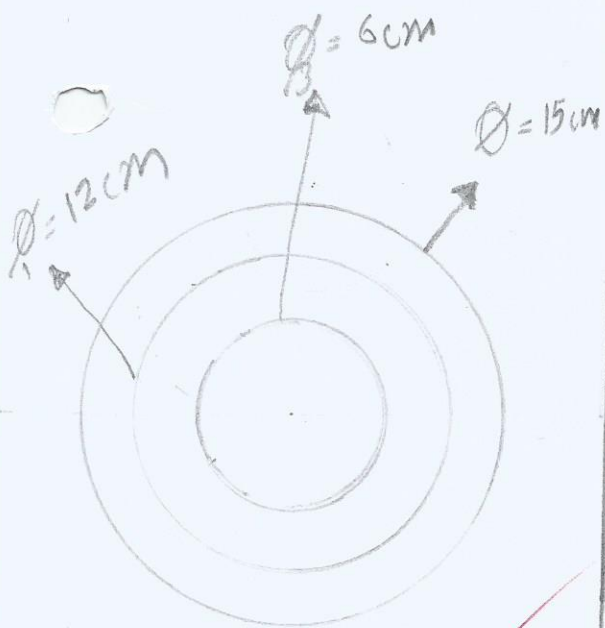
Design 2) 43710 3923

cover for  
holding  
(Not Automatic)

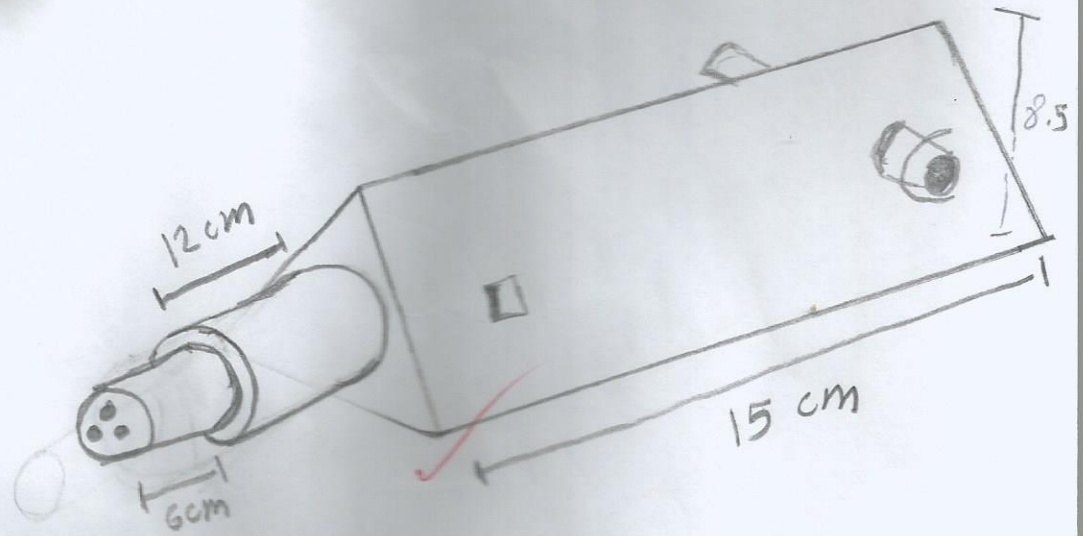


F. V

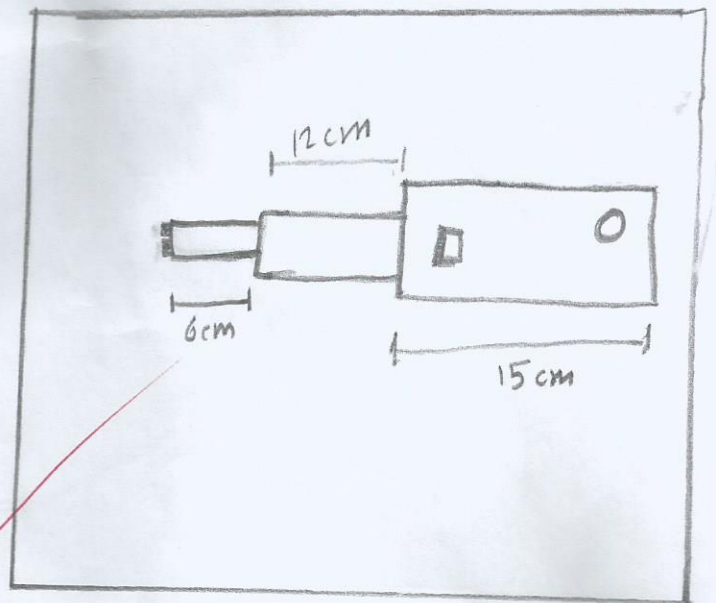
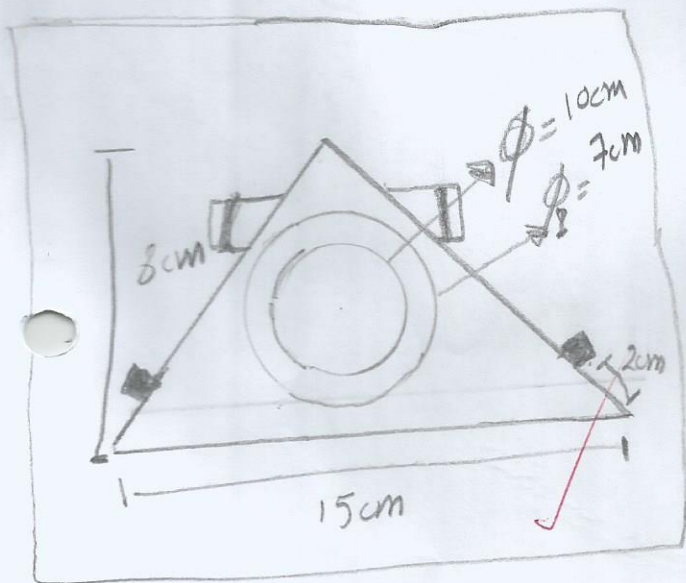
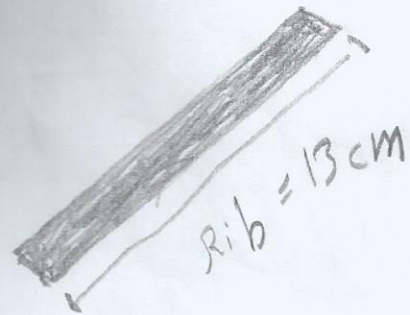
R.S.V holder



Design 3) 437103923



F.V



Exam