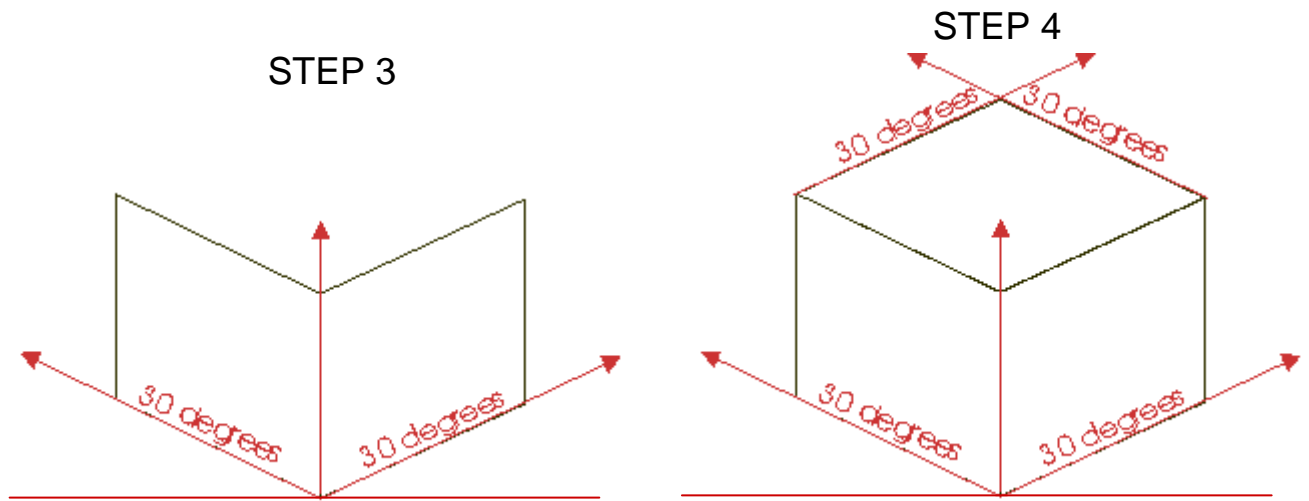
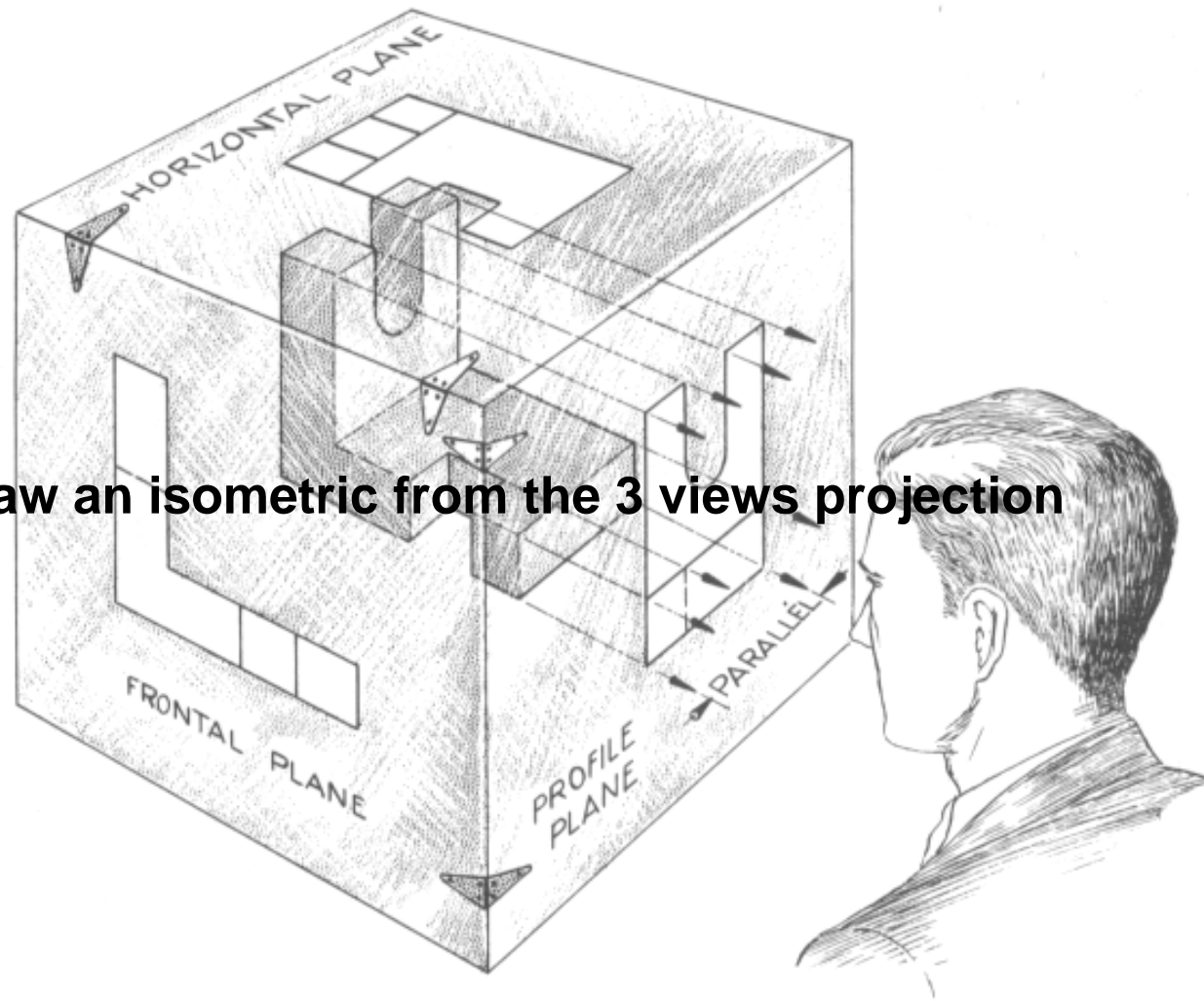
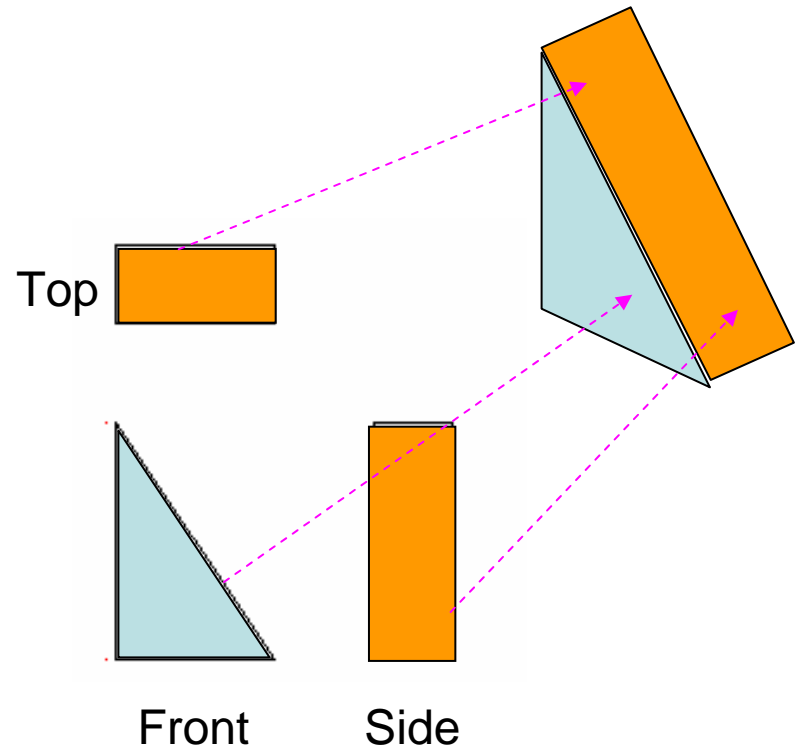
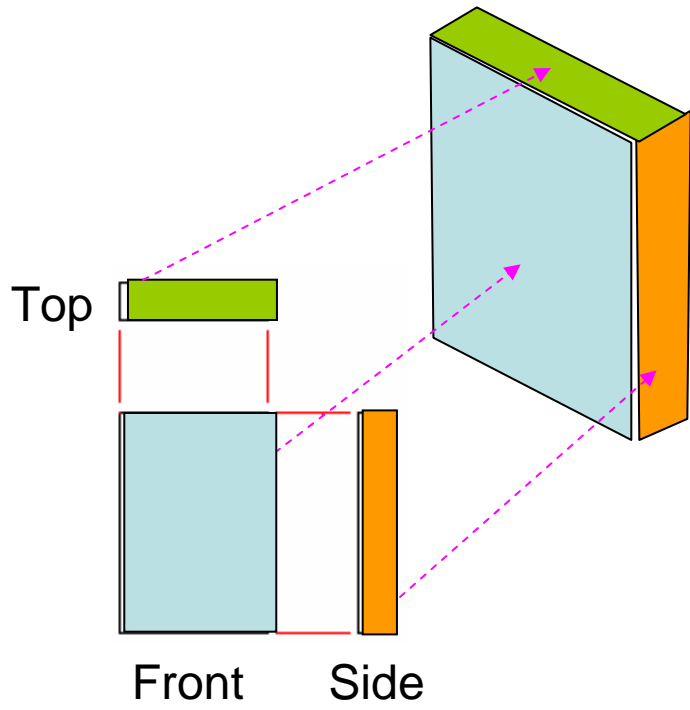


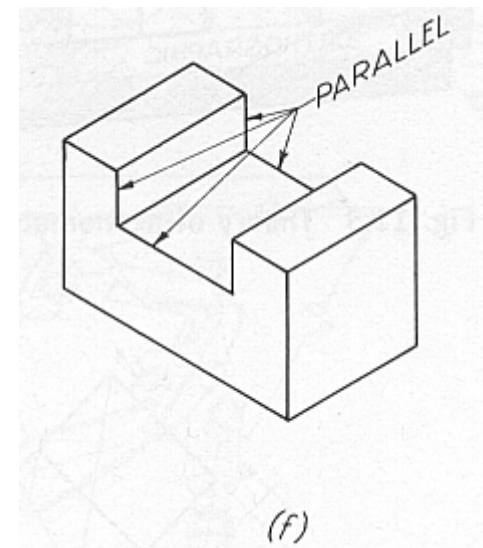
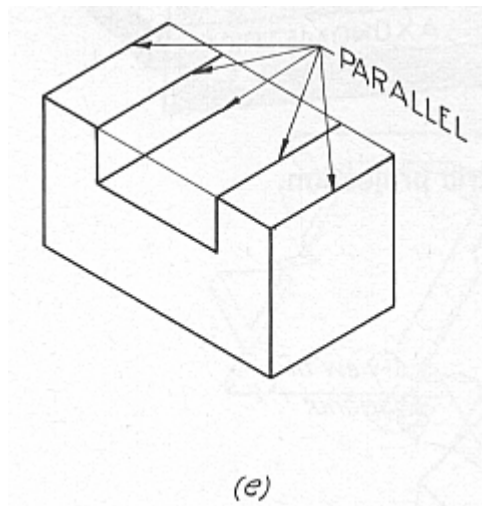
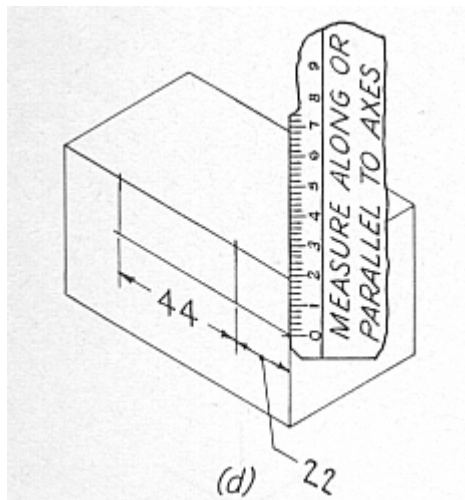
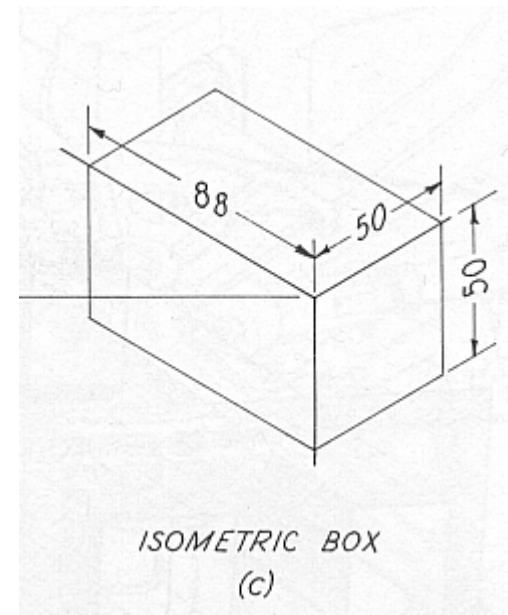
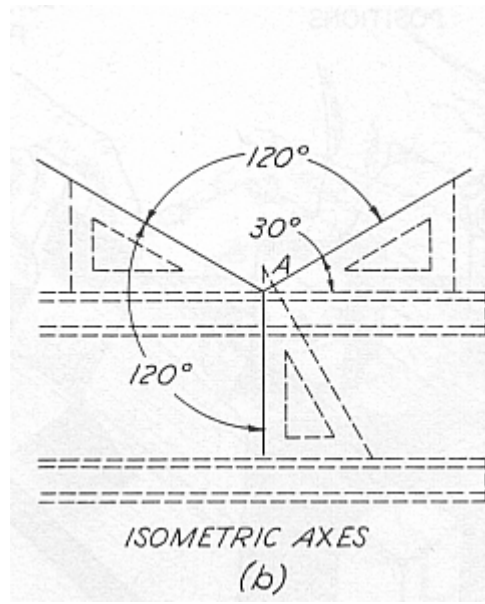
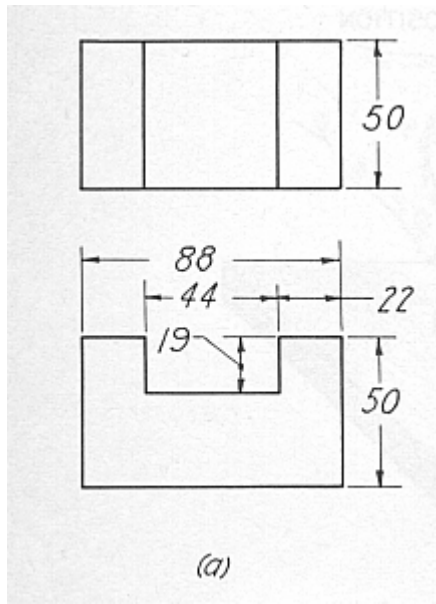
ISOMETRIC PROJECTION

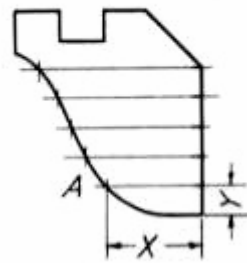
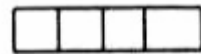
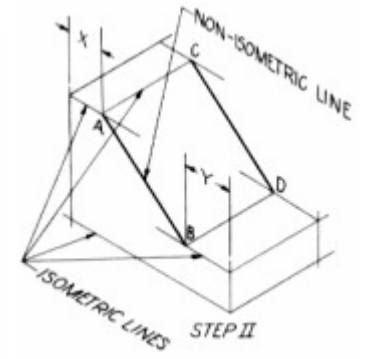
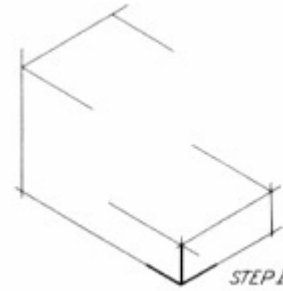
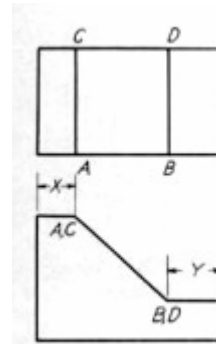
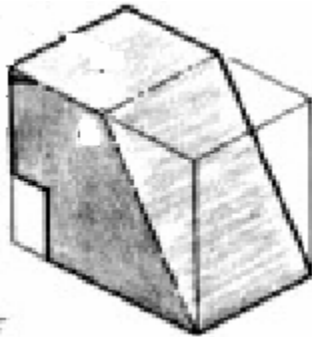
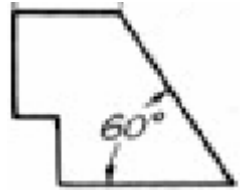
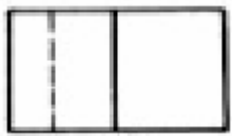


Draw an isometric from the 3 views projection

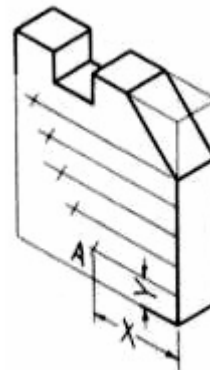




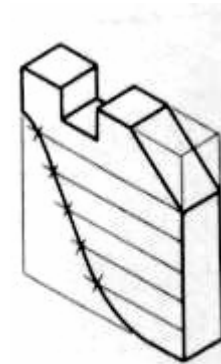




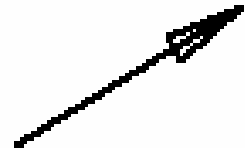
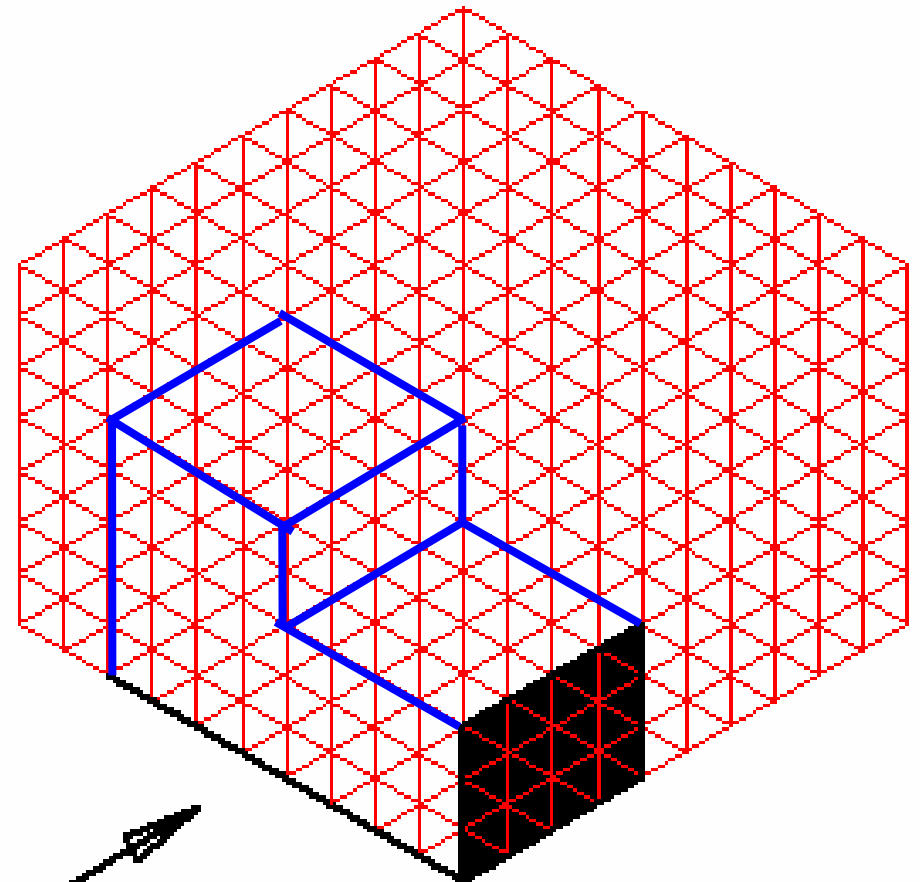
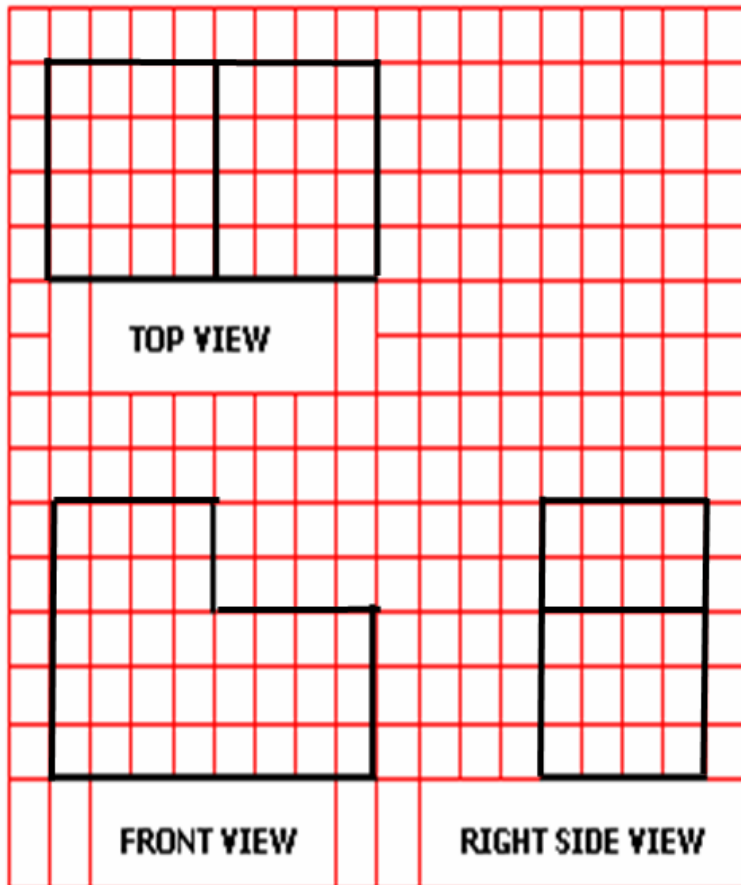
STEP I



STEP II

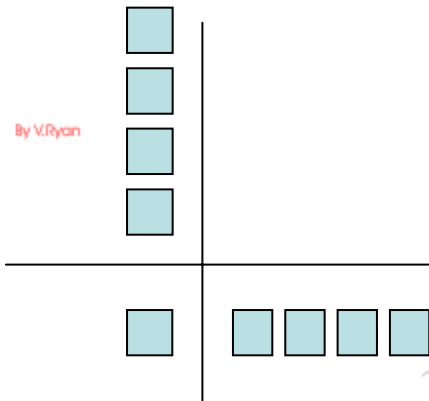
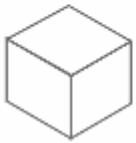


STEP III

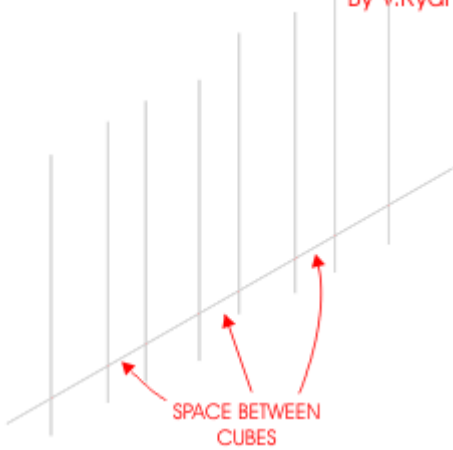


FRONT VIEW

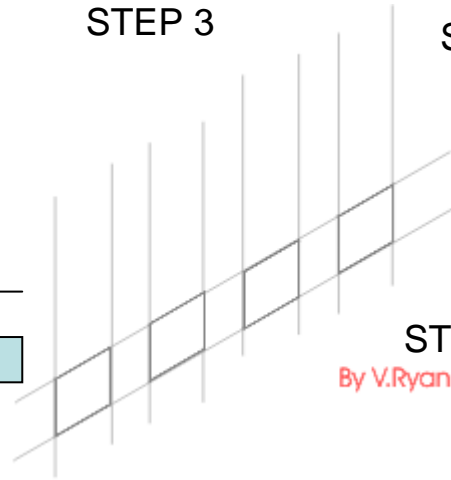
ISOMETRIC DRAWING - CUBES



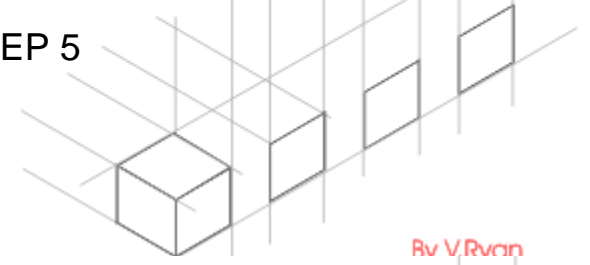
STEP 2
By V.Ryan



STEP 3

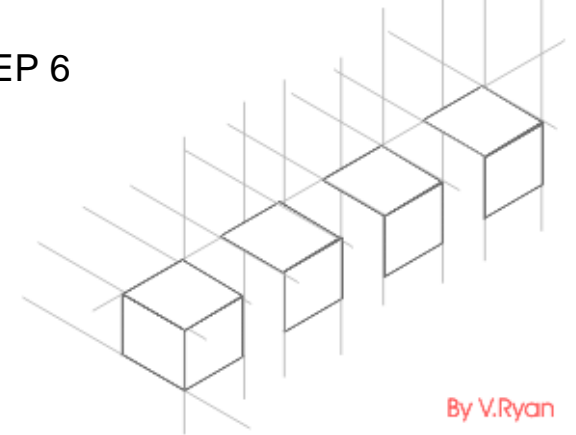


STEP 5



STEP 6

By V.Ryan



By V.Ryan

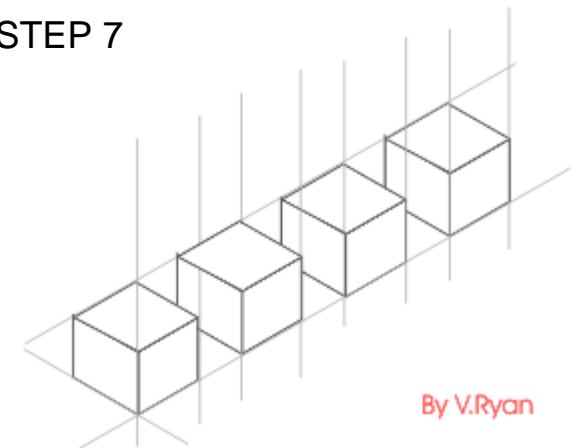
By V.Ryan

STEP 4

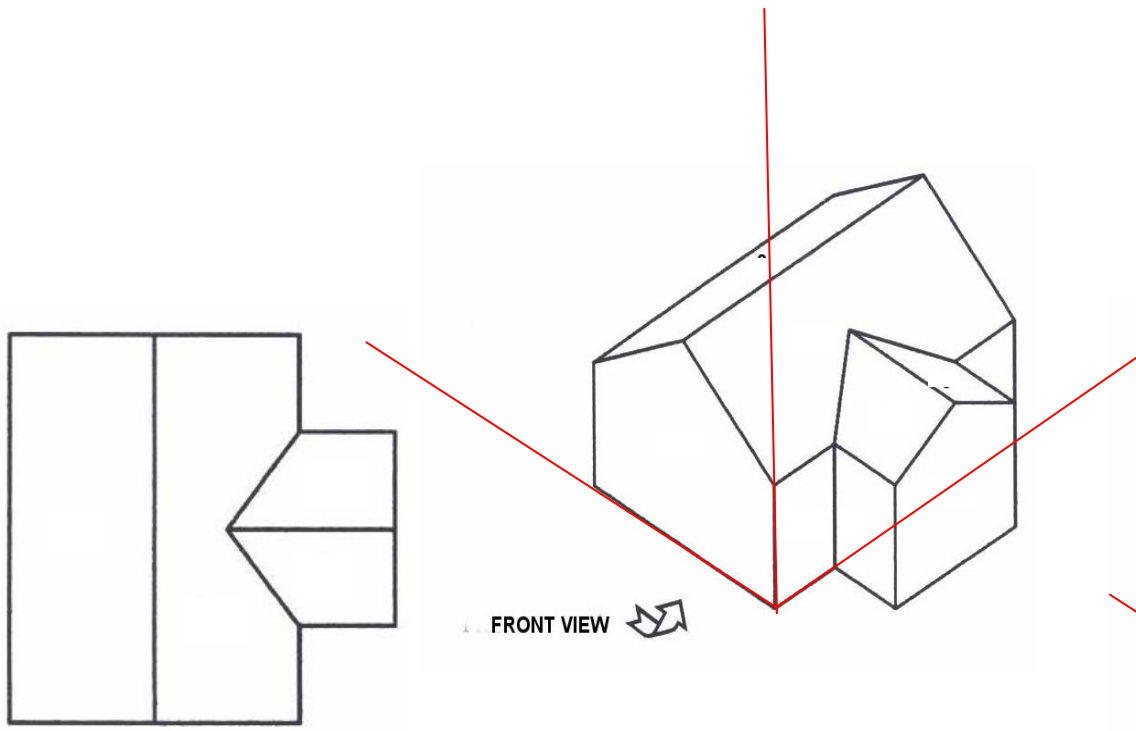


By V.Ryan

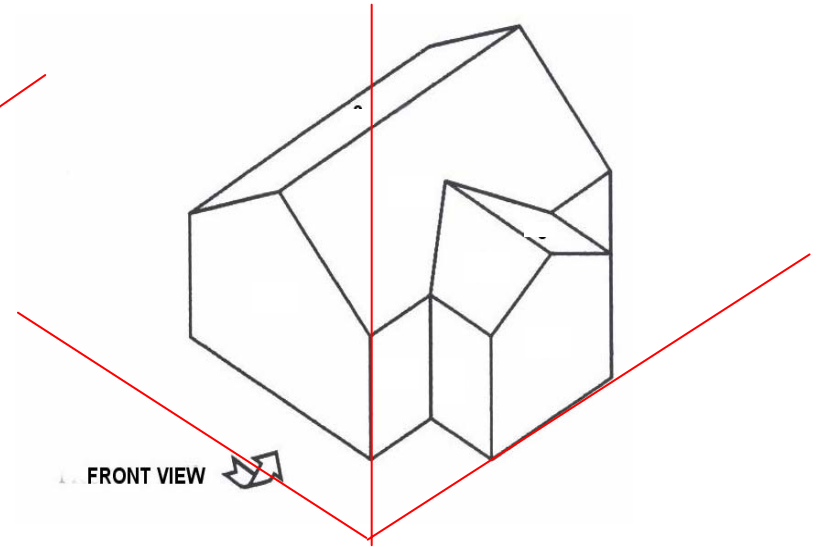
STEP 7



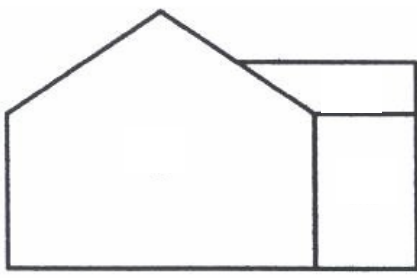
By V.Ryan



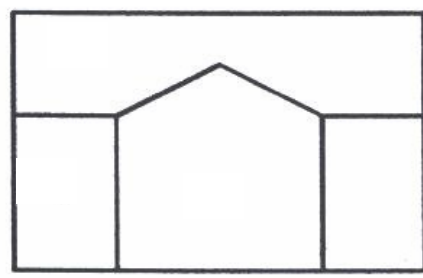
FRONT VIEW ↙

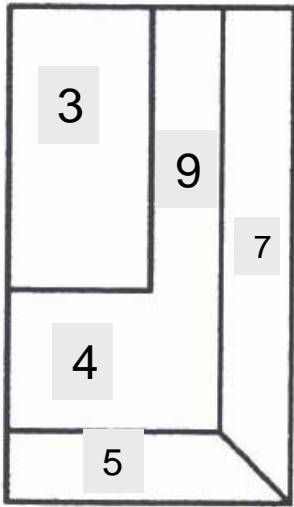


FRONT VIEW ↙

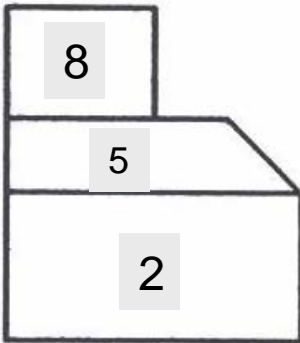


FRONT VIEW

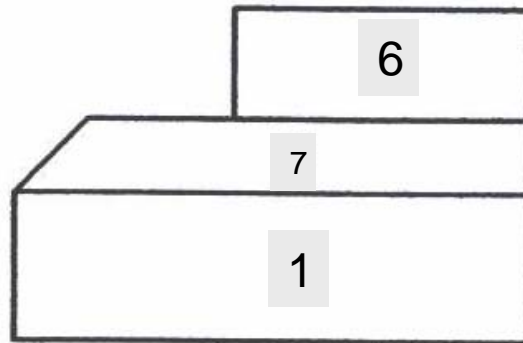




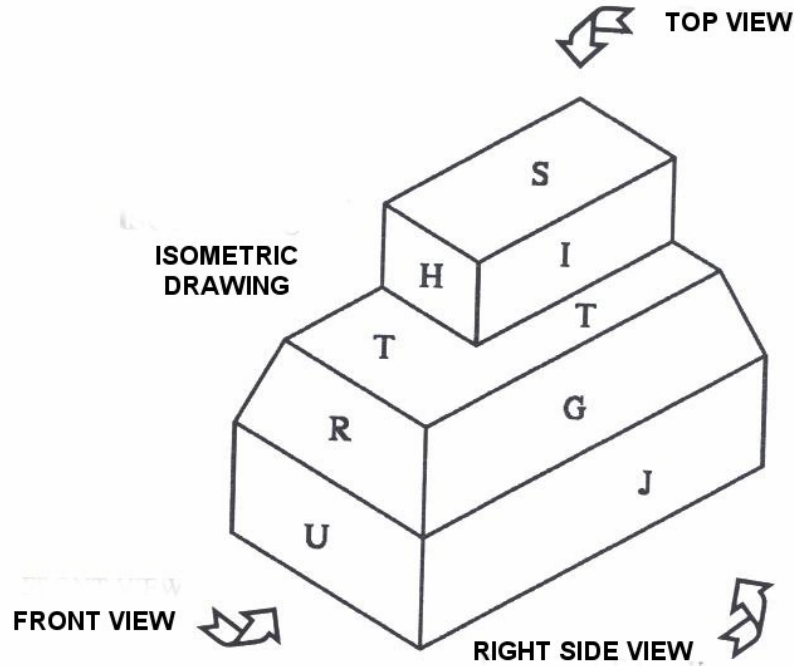
TOP VIEW



FRONT VIEW

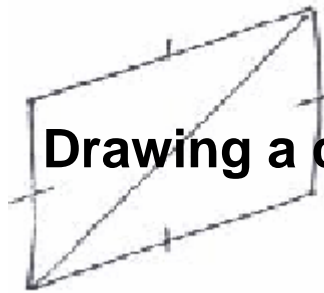
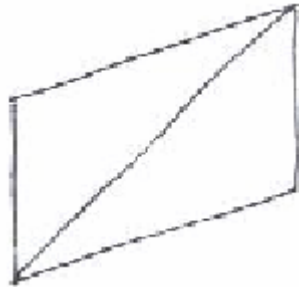
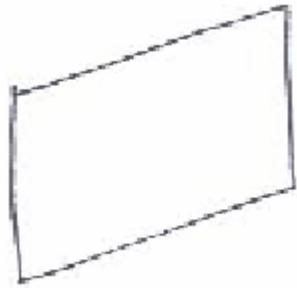


RIGHT SIDE VIEW

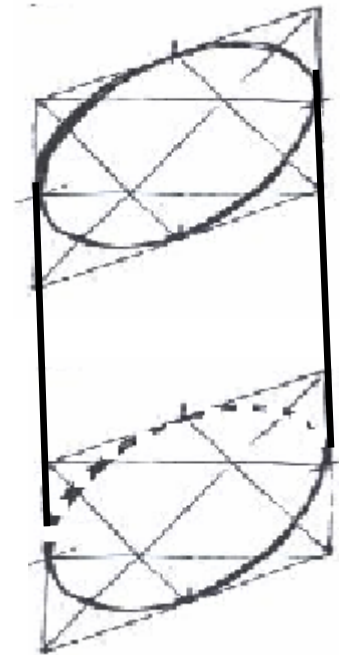
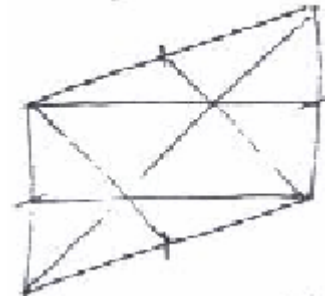


ISOMETRIC DRAWING

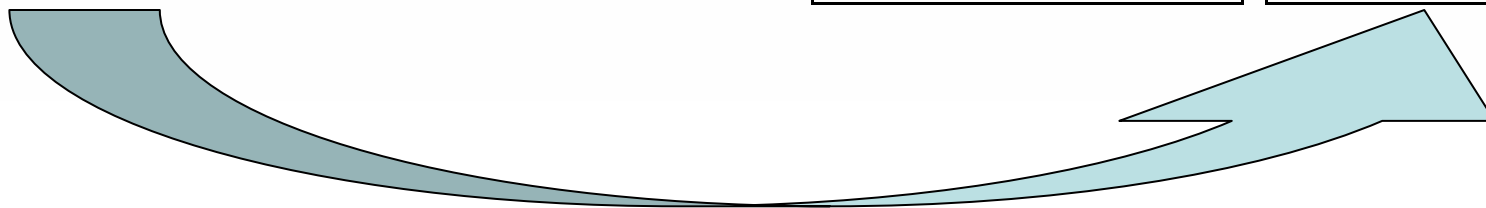
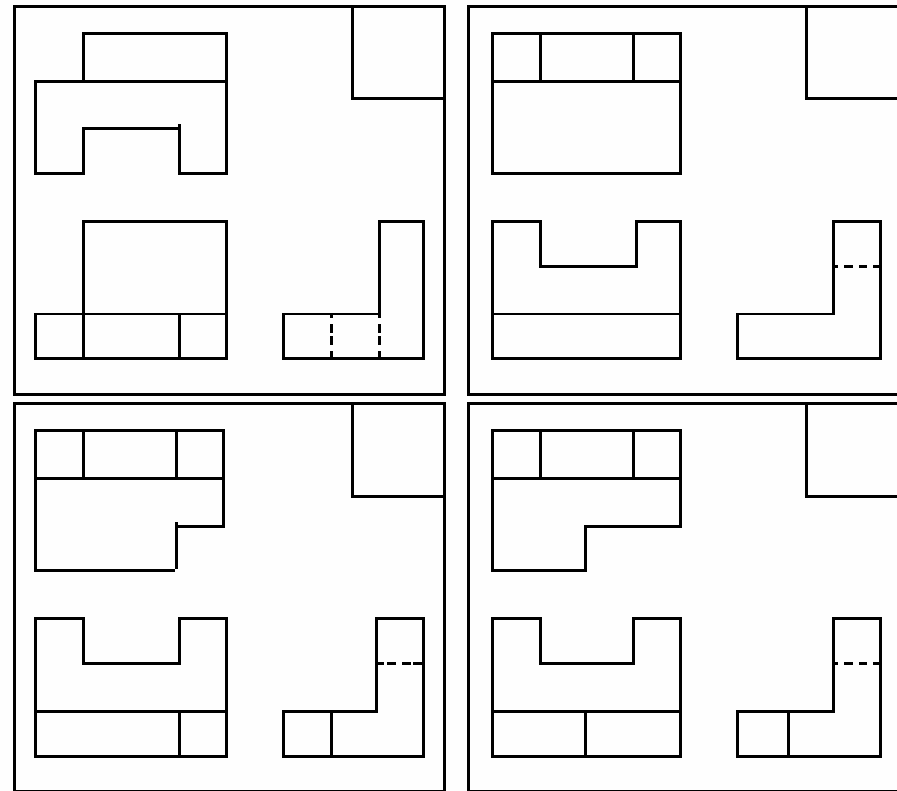
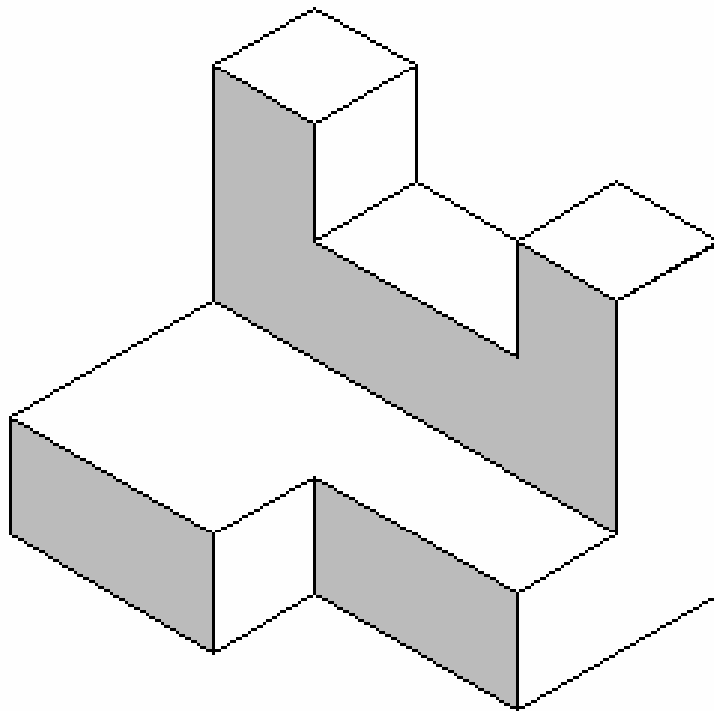
1	2	3	4	5	6	7	8	9
J	U	S	T	R	I	G	H	T

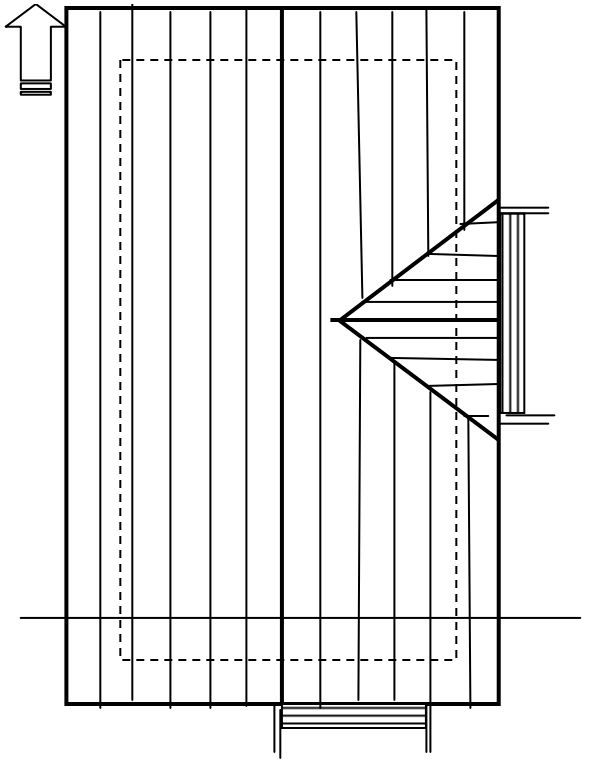


Drawing a circle

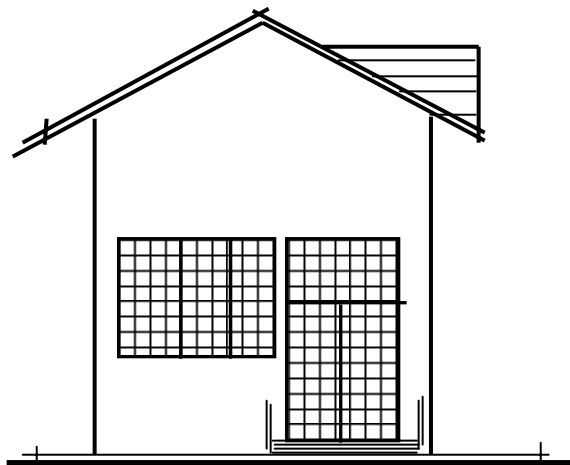


Which orthographic projection represents the isometric shown?



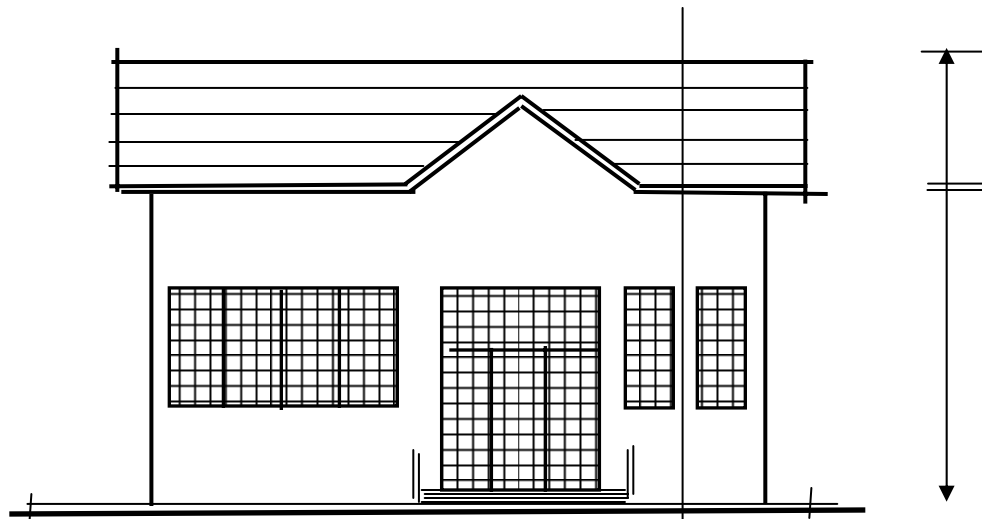


roof view



south view

Draw the isometric for the following bungalow



east view

