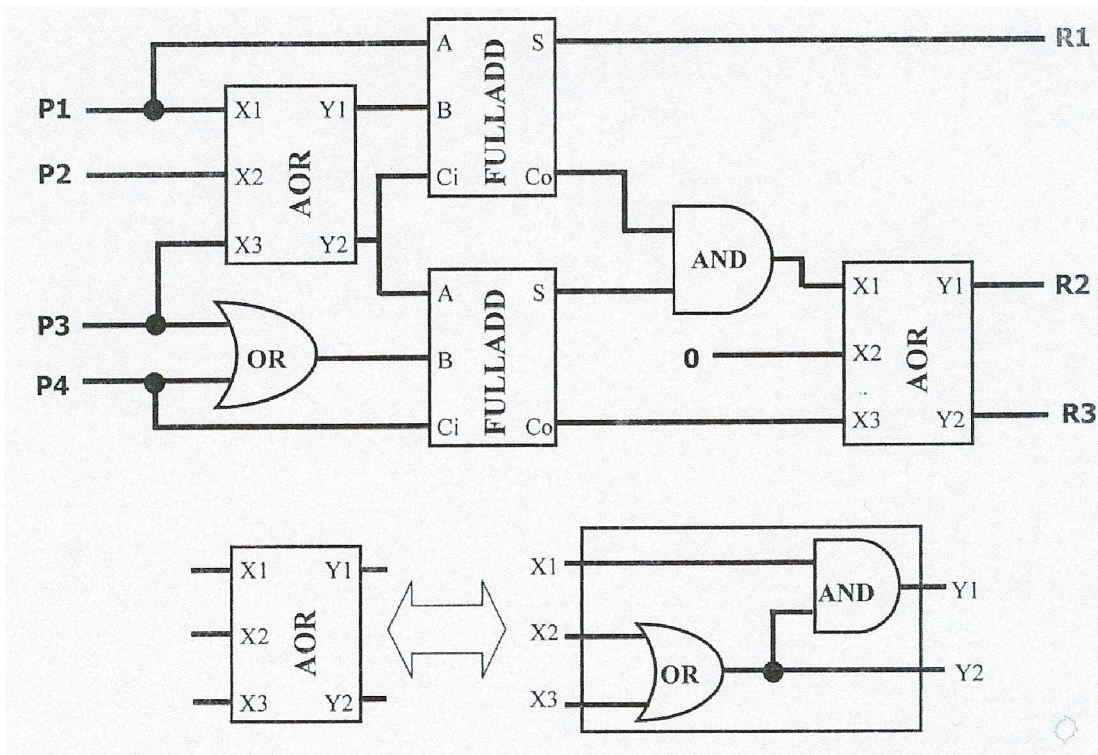


Design the circuit given below using VHDL and FPGAs.



PI. Follow the instruction given below

1. Design be targeted to XC3S200 – 4ft256 FPGA chip (2)
2. Give the VHDL code for the circuit. (8)
3. Perform circuit Synthesis (2)
4. Perform Functional Simulation of the circuit and **Submit** the Print out. (2)
5. Perform timing Simulation of the circuit and **Submit** the Print out. (2)
6. What is the maximum delay? (2)