



---

[eam61@yahoo.com](mailto:eam61@yahoo.com)

---

:

( ) - -

:

( )

\*

( ) ( )

( )

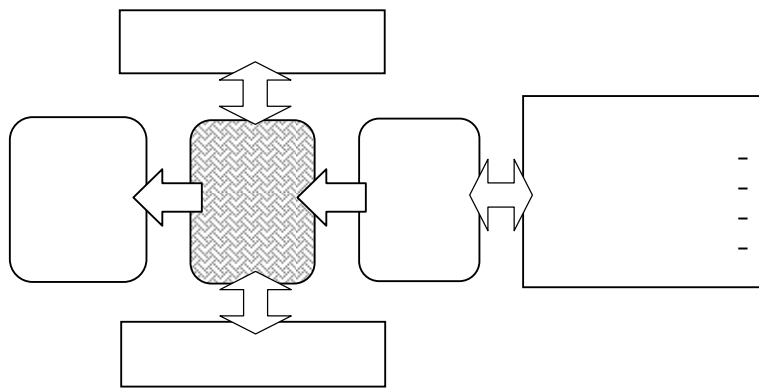
( )

:

-

( )

( )



( )

( )

( )

\_\_\_\_\_\*

( ...

-

( ) - -

( )

:

( )

:

Information as a Resource : - -

Information as an Asset : - -

Information as a Commodity : - -

( )

:

( ) - -

%

.%

.()

:

-

:

:

- -

:

.()

:

- -

:

.()

:

- -

.()

.()

:

- -

:

-

( ) - -

: -

.

( )

: -

( )

( )

: -

The Information \*

.Superhighway

( )

( )

( )

-

---

\*

( ) - -

( )

: -

( )

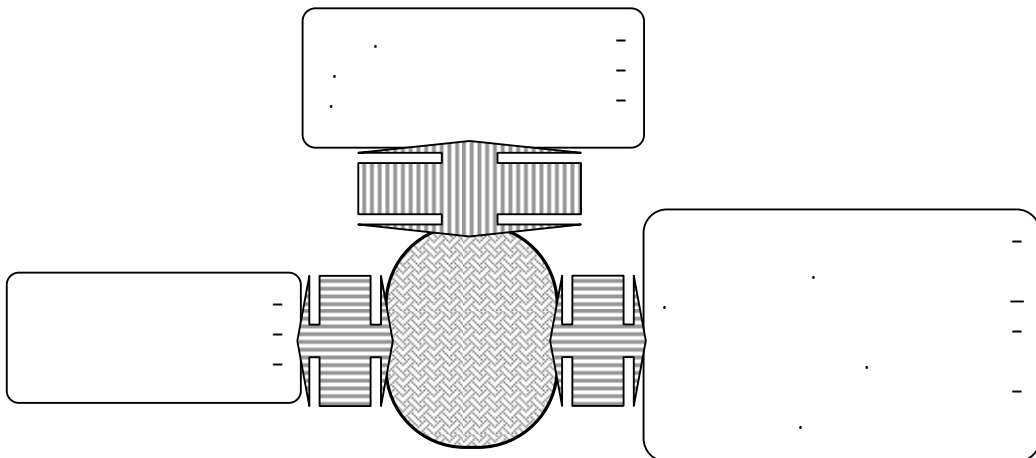
IBM

( )

%

( )

( )



\*

( )

\_\_\_\_\_ \*

-

( ) - -

: -

:  
.

: -

.

.

( )

: -

.

.

.

( )  
( )

: -

-

( ) - -

.

.

( )

:

-

( )

( )

:

-

.

( )

( )

:

-

OCR

-

( ) - -

( )

: -

.

.

( )

: -

.

" :

( )"

.

: -

.

( )

:

.

-

( ) - -

: -

( )

:( )

. -  
-  
-

:( )

-  
-

:( )

: -

:( )

( )

( - )

:

-

( ) - -

% , % ( )

-

-

-

( )

-

-

( )

-

( )

:

-

( )

( )

-

( ) - -

( )

( )

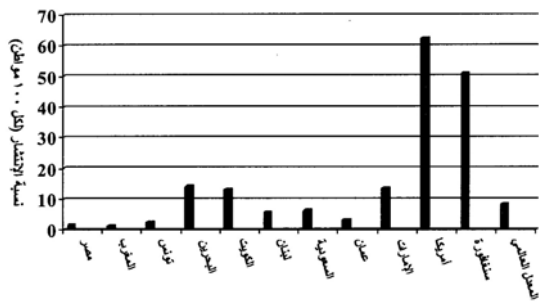
( )

( )

( )

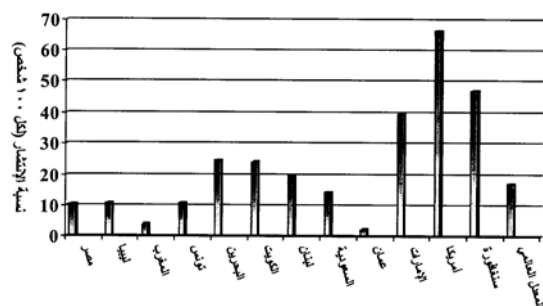
( )

( )



( )

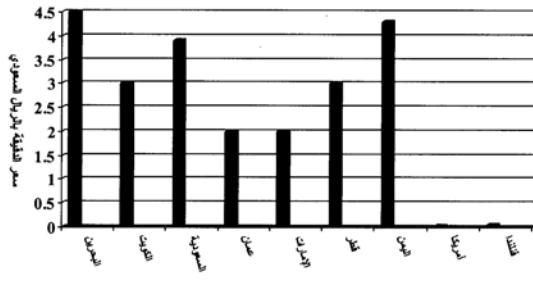
( )



( )

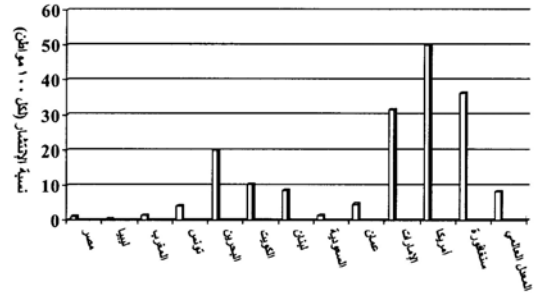
( )

( ) - -



( )

( )



( )

( )

:

"

&

"

"

&

"

"

( ) - -

( ) "

" "

: " &

" "

"

7. Gordon, Judith R. & Gordon, Steven R., **"Information Systems: A Management Approach"**, 2<sup>nd</sup> ed., New York: Harcourt Brace College publishers, The Dryden Press, 1999.

" "

9. Mitchell, **"E-topia: The Future of Cities in the Digital Age"**, Public lecture, web site: [www.builtenvironment.com](http://www.builtenvironment.com), Amman, February 2000.

"

"

"

"

"

-

"

"

"

"

"

"

"

"

"

"

:

"

"

20. Shio, Martin J., **"An Approach to Design of National Information Systems for Developing Countries"**, Information Systems in the Public Administration, North-Holland Pub. Co., Amsterdam, 1983.