

Orifice

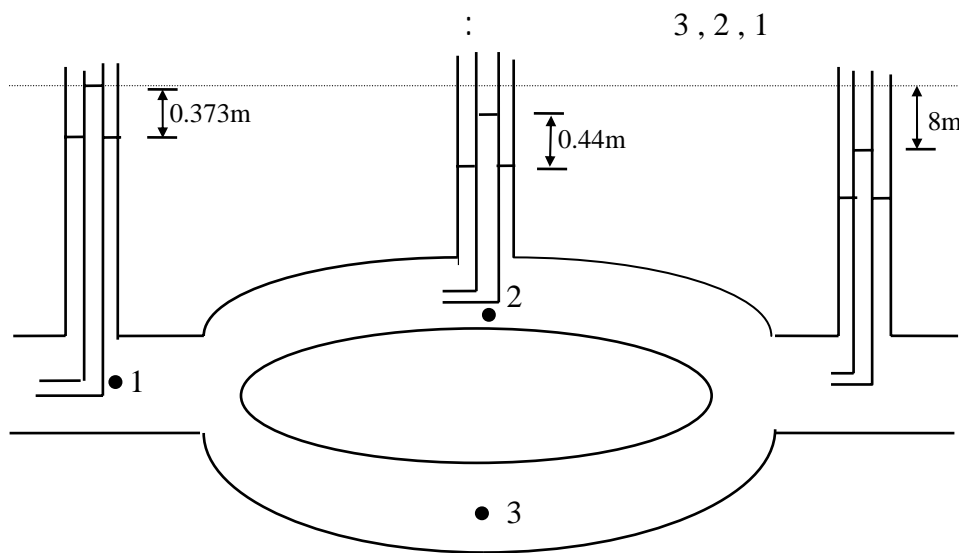
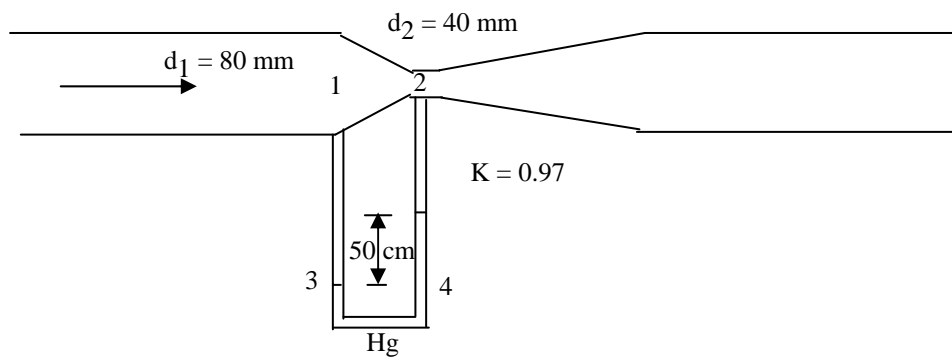
0.60

60

0.90

50

Nozzle



$L_2=76\text{m}$ $f_2=0.02442$ $Q_3=0.061\text{m}^3/\text{s}$ $L_3=91\text{m}$ $f_3=0.02171$

4, 3, 2, 1

HGL

EL

